

## All glass



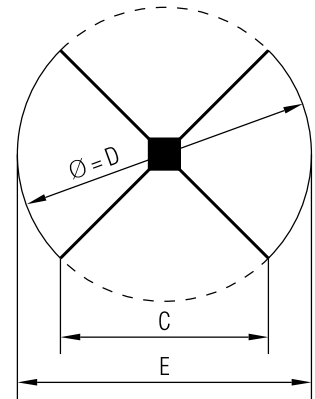
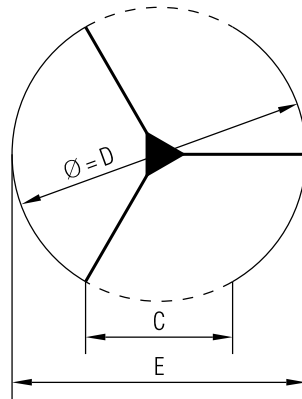
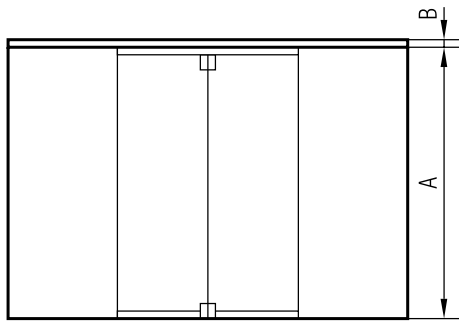
The **all glass revolving door series GGG** is the highlight of a perfect integration on an entrance system in a glass façade.

Glass roof and optional floor drive provide unique creative possibilities for architects aiming at maximum transparency.

Depending on the positioning of the door leaves, revolving doors offer efficient protection against draughts.

The **all glass revolving door series GGG** is used in:

- hotels
- office and administration buildings
- banks



D*	A*	B**	C 3 door leaves	C 4 door leaves	E
1800	2100 – 3000	16	~ 830	~ 1220	1860
1900	2100 – 3000	16	~ 875	~ 1290	1960
2000	2100 – 3000	16	~ 920	~ 1350	2060
2100	2100 – 3000	16	~ 965	~ 1420	2160
2200	2100 – 3000	16	~ 1010	~ 1490	2260
2300	2100 – 3000	16	~ 1060	~ 1560	2360
2400	2100 – 3000	16	~ 1105	~ 1620	2460
2500	2100 – 3000	16	~ 1150	~ 1690	2560
2600	2100 – 3000	18	~ 1195	~ 1760	2660
2700	2100 – 3000	18	~ 1240	~ 1820	2760
2800	2100 – 3000	18	~ 1285	~ 1890	2860
2900	2100 – 3000	18	~ 1330	~ 1960	2960
3000	2100 – 2600	18	~ 1375	~ 2030	3060

\*Special dimensions on request

\*\* or thicker, depending on static requirements

### Turnstile

- 3 or 4 rigid door leaves of 12 mm clear toughened glass with slim frames

### Drum Walls

- curved 9 mm clear glass with 40 mm skirting profile

### Drive

- manual
- manual with automatic positioning
- semi-automatic (push and go)
- fully automatic

Automatic drives are installed underfloor.

### Night locking

- patch locks on door leaves
- manual night sliding doors running outside

### Surfaces

- RAL finish
- silver anodised
- colour anodised
- stainless steel 240 grit satin polished
- bright polished stainless steel

### Options

- vertical or horizontal handles of stainless steel
- EMCO mat, coir matting
- stainless steel floor ring V2A

Further options on request