

Security revolving door / Security curved sliding door



Security revolving door

Security revolving doors and security curved sliding doors are used in:

- banks
- insurance companies
- computer centres
- research centres
- authorities
- ministries
- industrial buildings
- office and administration buildings



Security curved sliding door

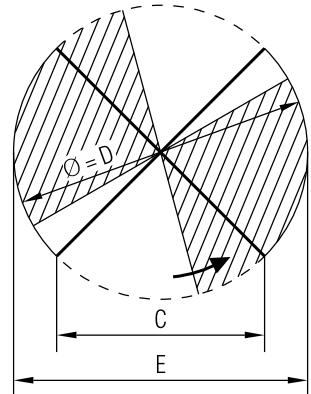
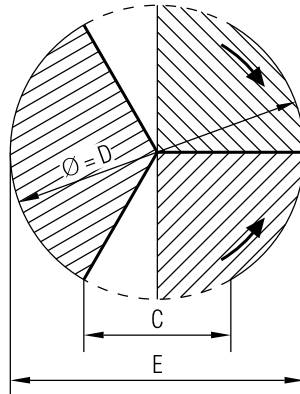
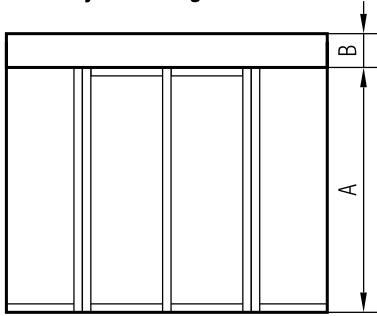
Security revolving doors and security curved sliding doors are a safe and comfortable solution for all applications where a high degree of security is required, e.g. in computer centres, banks, ministries.

The admission of individual persons is controlled via electronic control systems providing smooth passage in both directions.

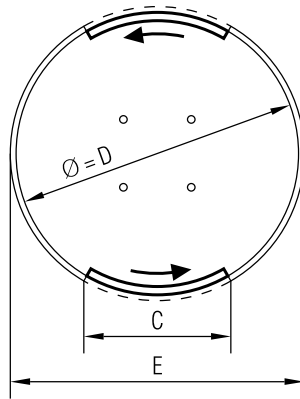
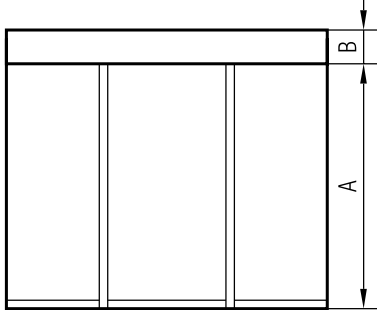
With a very high proportion of glass, the design of the door offers to the user generous space and comfortable passage.

High security of persons admitted is achieved by the use of suitable profile systems which come in a large variety and allow for creative design and adaptation to the architecture of the building.

Security revolving door GSI



Security curved sliding door GSI



Dimensions: Security revolving door GSI

D*	A*	B*	C 3 door leaves	C 4 door leaves	E
1800	2100 – 3000	350 – 800	~ 859	~ 1239	1860
1900	2100 – 3000	350 – 800	~ 907	~ 1308	1960
2000	2100 – 3000	350 – 800	~ 954	~ 1377	2060
2100	2100 – 3000	350 – 800	~ 1002	~ 1446	2160
2200	2100 – 3000	350 – 800	~ 1050	~ 1514	2260

Dimensions: Security curved sliding door GSI

D*	A*	B*	C	E
1000	2100-3000	350 – 800	~ 500	1060
1300	2100-3000	350 – 800	~ 600	1360
1500	2100-3000	350 – 800	~ 700	1560

*Special dimensions on request

Turnstile

- 3 or 4 rigid door leaves with 10 mm clear toughened glass (revolving door)
- 2 curved running leaves with 9 mm clear laminated glass (curved sliding door)

Drum Walls

- curved 9 mm clear laminated glass
- curved, smooth-surfaced panel (with 30 mm thermal insulation)

Drive

- fully automatic with control via access control systems such as card readers (provided by the customer)

Night locking

- espagnolette locks in the door leaves
- manual or automatic night sliding doors running outside
- hook bolt lock in the sliding leaf

Surfaces

- RAL finish
- silver anodised
- colour anodised
- stainless steel 240 grit satin polished
- bright polished stainless steel

Options

- 35 Watt halogen spot lights to be installed in the aluminium ceiling
- vertical or horizontal handles of stainless steel
- roof outside the building waterproof
- further security glazing such as B1

Further options on request