

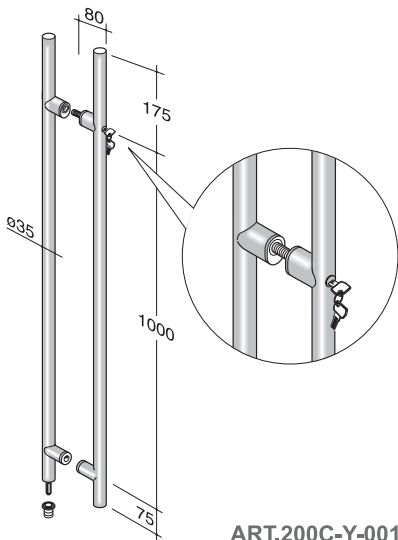


MADE IN ITALY

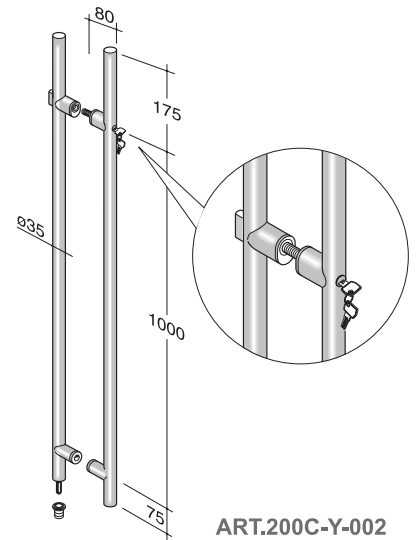


PATENT N° VI2005A000063

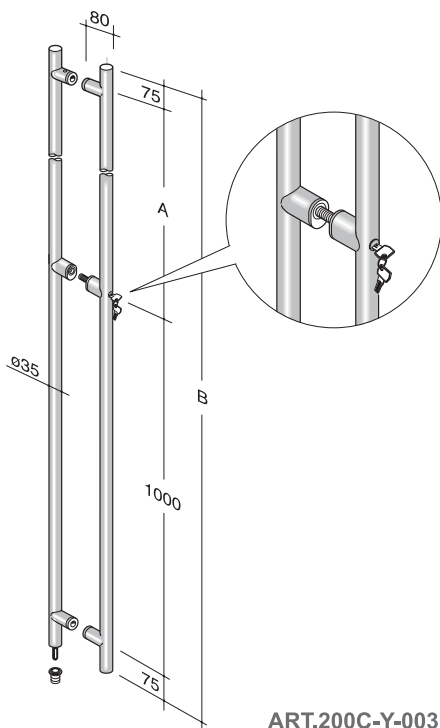
Ø 35



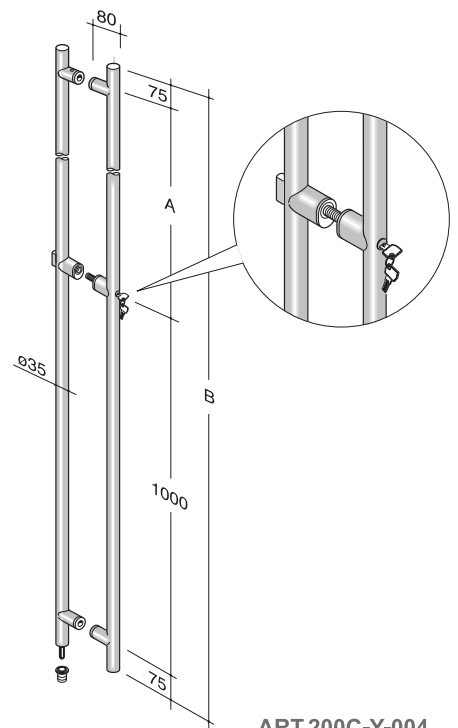
ART.200C-Y-001



ART.200C-Y-002



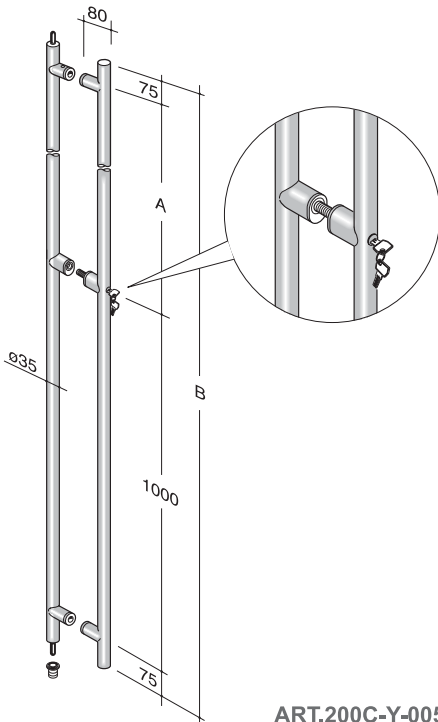
ART.200C-Y-003



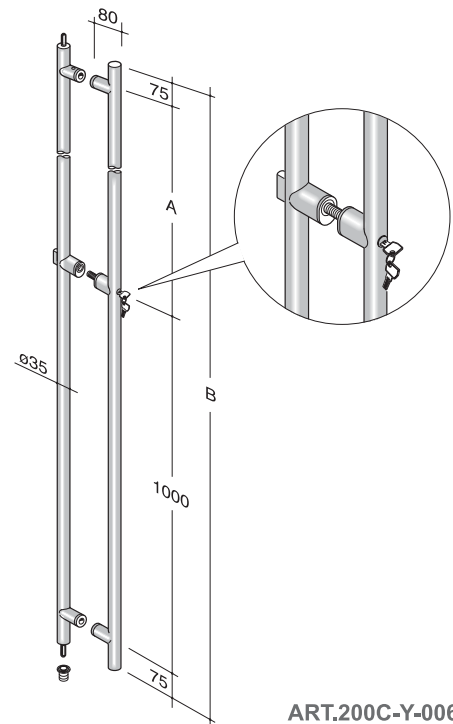
ART.200C-Y-004

PROGRAMMA K-LOCK

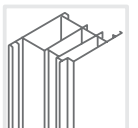
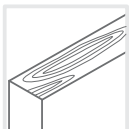
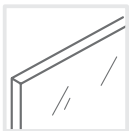
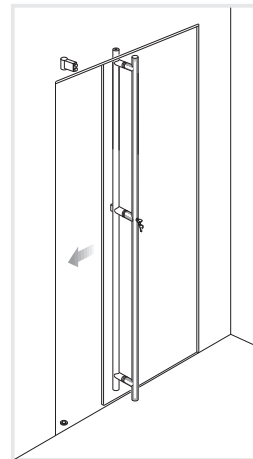
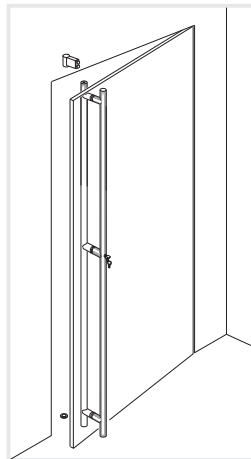
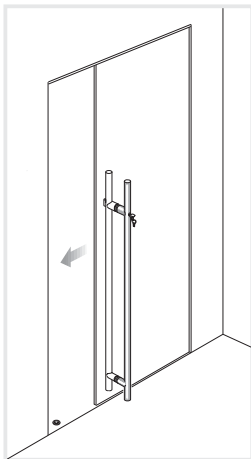
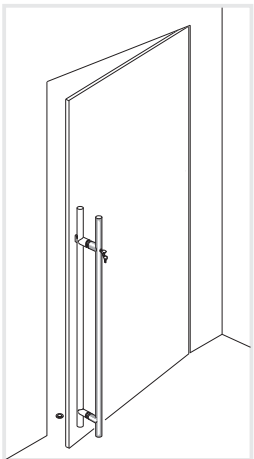
Ø 35



ART.200C-Y-005



ART.200C-Y-006



PROGRAMMA K-LOCK

