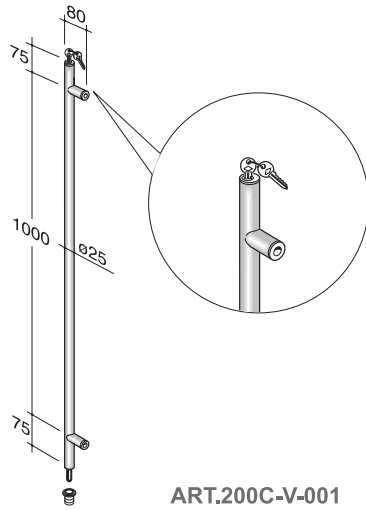
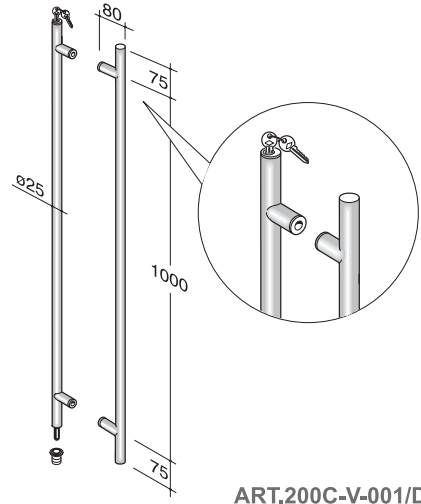




Ø 25

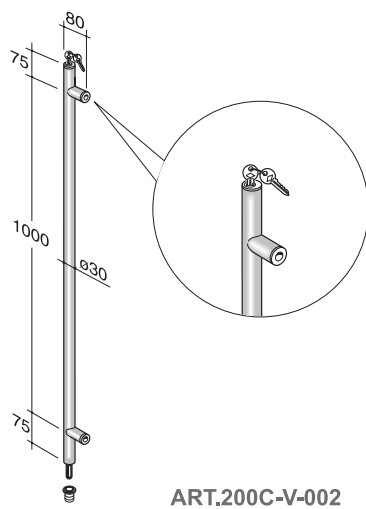


ART.200C-V-001

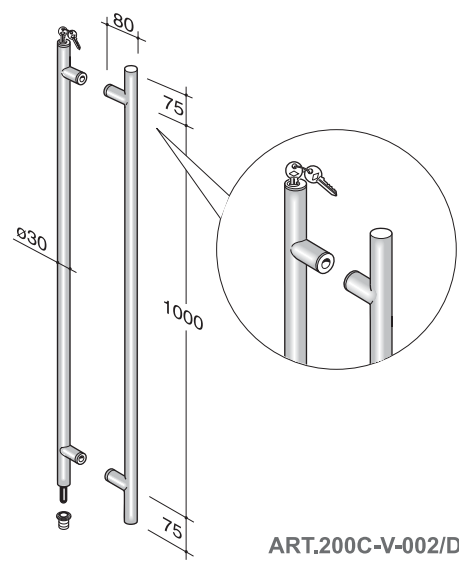


ART.200C-V-001/D

Ø 30

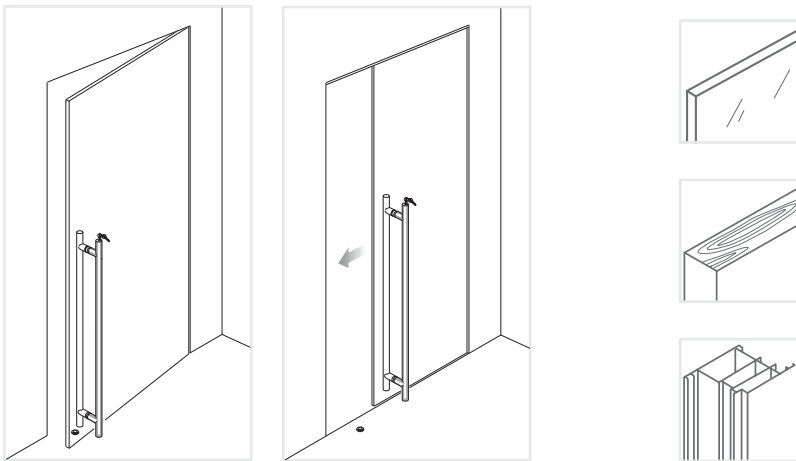
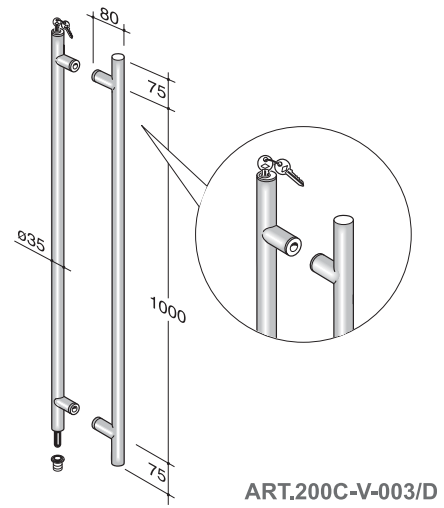
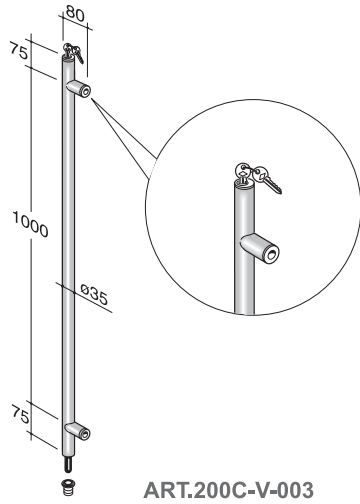


ART.200C-V-002



ART.200C-V-002/D

Ø 35



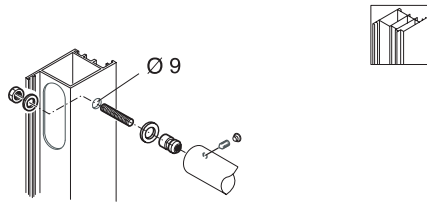
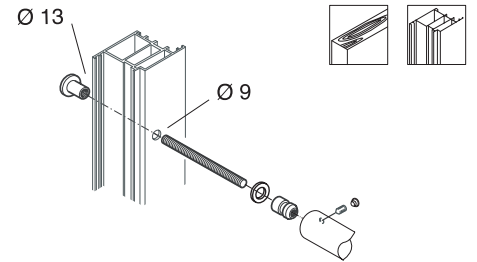
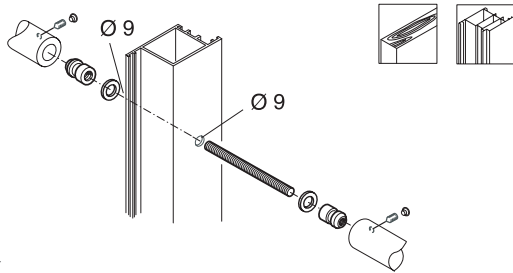
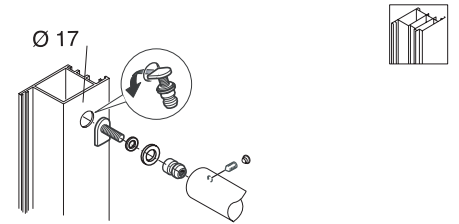
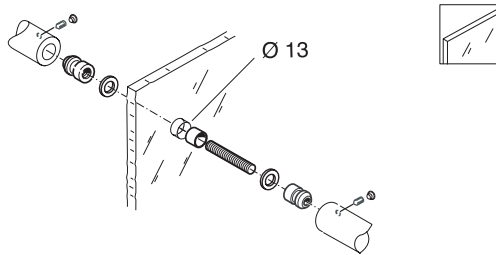
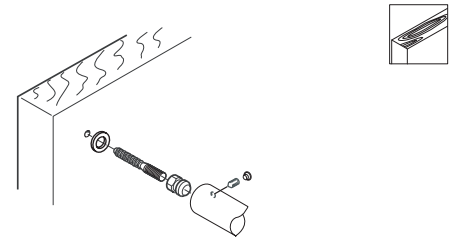
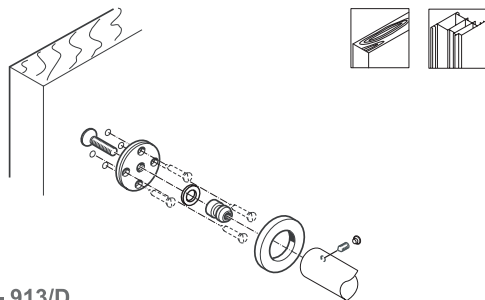
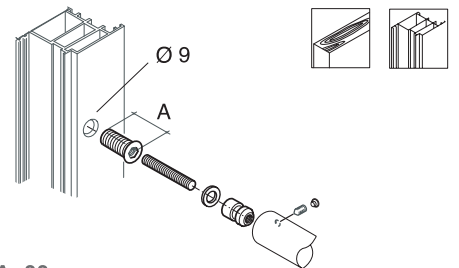
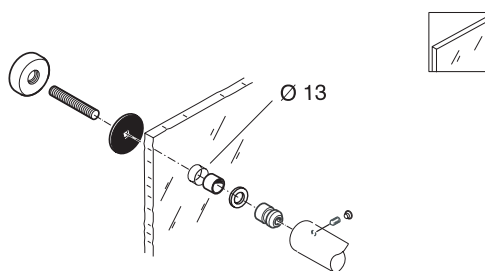
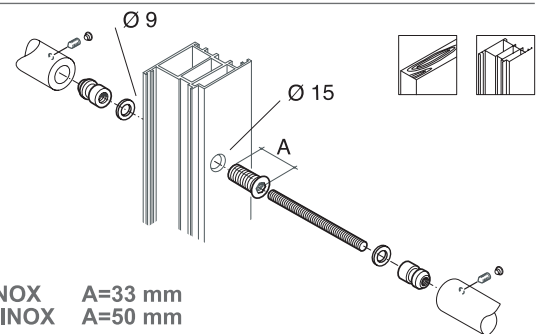
PROGRAMMA K-LOCK



PROGRAMMA K-LOCK

FISSAGGI SERIE 200C-V
FIXINGS SERIES 200C-V
FIXATIONS SERIE 200C-V

BEFESTIGUNGEN SERIE 200C-V
FIJACIONES SERIE 200C-V
BEVESTIGING SERIE 200C-V


ART. 610/D-INOX

ART. 1110/D-INOX

ART. 710/D-INOX

ART. 1210/D-INOX

ART. 810/D-INOX

ART. 1310/D-INOX

ART. 911/D - 912/D - 913/D

ART. 1410/D-INOX A=33 mm
ART. 1410/DL-INOX A=50 mm

ART. 1011/D - 1012/D - 1013/D

ART. 1510/D-INOX A=33 mm
ART. 1510/DL-INOX A=50 mm
LEGENDA - KEY TO SYMBOL - LÉGENDE - ZEICHENERKLÄRUNG - LEYENDA - LEGENDE

Legno
Wood
Holz
Bois
Madera
Hout

Alluminio / Pvc
Aluminium / Pvc
Aluminium / Pvc
Aluminium / Pvc
Aluminium / Pvc
Aluminium / Pvc

Vetro Spessori per protezione vetro in dotazione
Glass Glass protections included
Verre Protections pour verre incluses
Glass Schutzteilen für Glas im Lieferumfang enthalten
Cristal Juntas de protección para cristal incluidas
Glas Glasbeschermingsrubbers meegeleverd in de verpakkin