

TE 640 3D

for unrebated high performance heavy-duty doors

hinge

Technical details

load capacity	200,0 kg
overall length	240,0 mm
width (door)	32,0 mm
width (frame)	32,0 mm
cutter diameter	24,0 mm
opening angle	180° degree

descriptive text

SIMONSWERK TECTUS hinge TE 640 3D. Completely concealed for unrebated, heavy-duty doors with timber, steel and aluminium frames. UL-certified, with comfortable 3D adjustment, load capacity up to 200 kg, opening angle up to 180°, overall length 240 mm, right hand and left hand applicable, maintenance-free slide bearings, three-dimensionally adjustable: side +/- 3,0 mm, height +/- 3,0 mm, compression +/- 1,0 mm. Finish...

Note

The load capacity mentioned above refers to the use of 2 hinges per door leaf (1 x 2 m).

Finger protection on the hinge side due to a small gap between door and frame.

Product features

- completely concealed hinge system
- for timber, steel or aluminium frames
- for unrebated heavy-duty doors
- maintenance-free slide bearings
- with comfortable 3D adjustment (side +/- 3,0 mm, height +/- 3,0 mm, compression +/- 1,0 mm)

Functional areas

fire resistance, smoke resistance, soundproof und burglar resistance

Quality marks



Combination

receiver

TE 640 3D FZ/1
TE 640 3D SZ



TE 640 3D

for unrebated high performance heavy-duty doors

hinge
installation tools

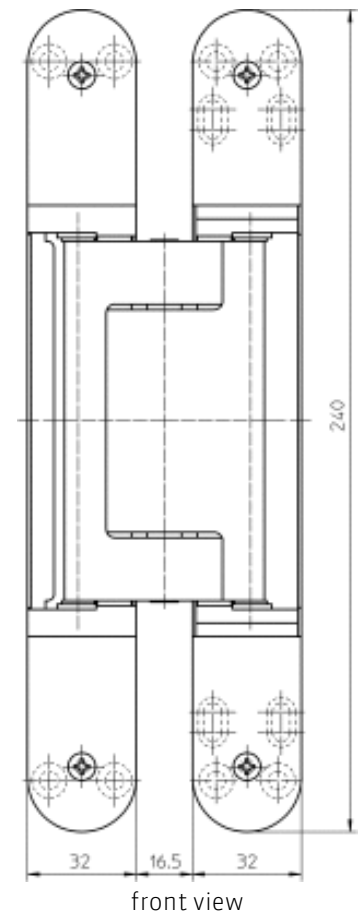
universal milling frame

template 5 250659 5

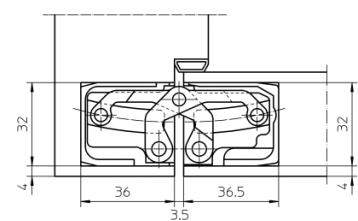
step 1

template 5 250689 5

step 2



front view



block frame

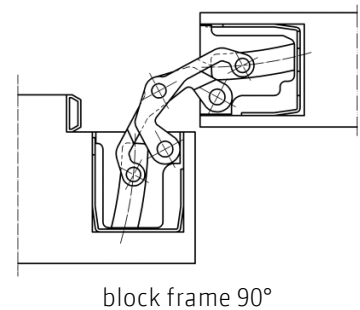
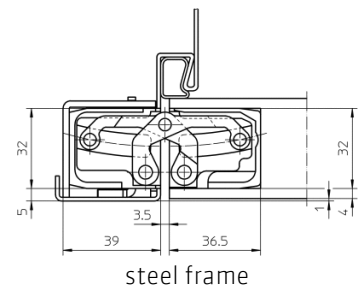
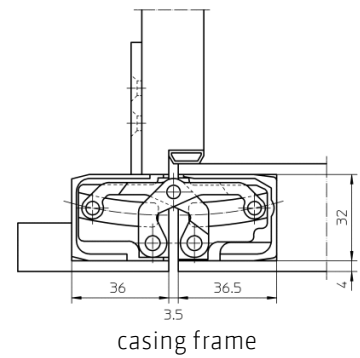
TE 640 3D

for unrebated high performance heavy-duty doors

hinge

Items (DIN reference: DIN right and left hand)

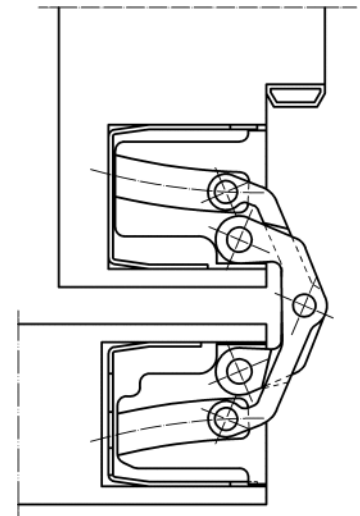
finishes(es)	polished brassed 030
packing unit	pack of 2
item number	5 400613 0 03002
finishes(es)	polished nickelled 038
packing unit	pack of 2
item number	5 400613 0 03802
finishes(es)	powder-coated 079
packing unit	EUR pallet
item number	5 400613 0 07975
finishes(es)	F1-coloured 124
packing unit	pack of 2
item number	5 400613 0 12402
finishes(es)	F2-coloured 125
packing unit	pack of 2
item number	5 400613 0 12502
finishes(es)	stainless steel look 126
packing unit	pack of 2
item number	5 400613 0 12602



TE 640 3D

for unrebated high performance heavy-duty doors

hinge



block frame 180°