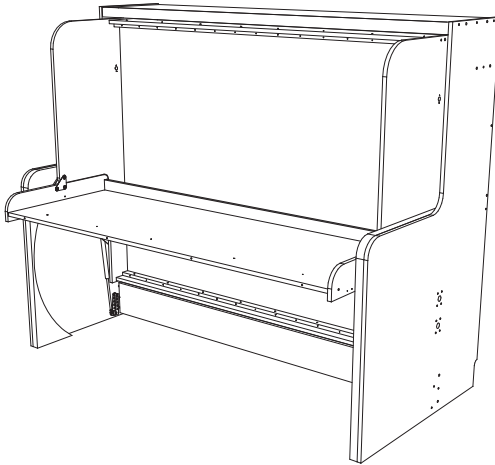
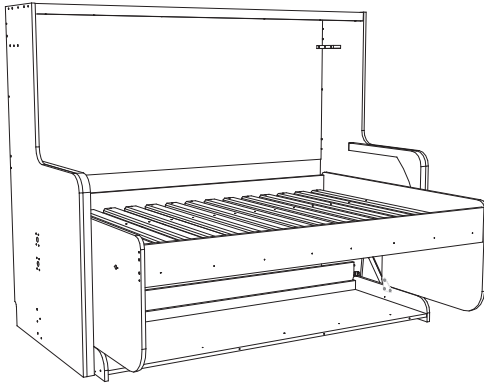


Hiddenbed ™



ASSEMBLY INSTRUCTIONS MODEL DOUBLE

www.hiddenbed.com

CONGRATULATIONS!

YOU ARE A PROUD OWNER OF
HIDDENBED

The ultimate furniture that Doubles your Space

Please read carefully the Assembly Instructions.

Should you have any questions

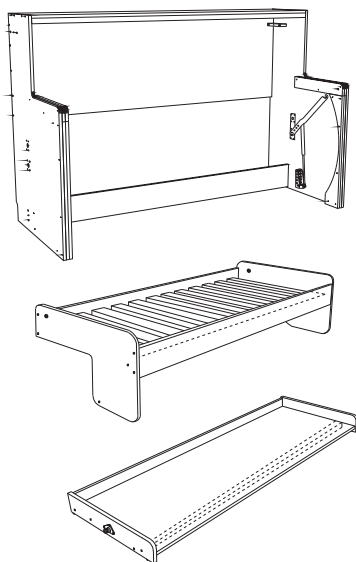
please contact our authorized dealer:

For further information please check
www.hiddenbed.com

Follow these simple steps to assemble your Hiddenbed

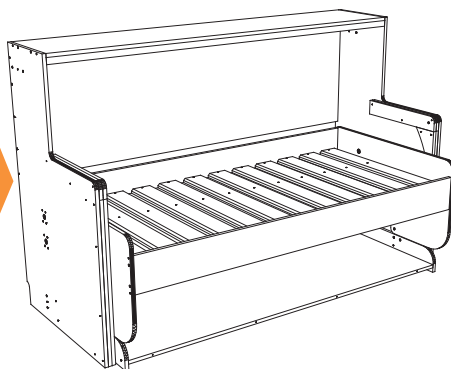
1

Assemble the 3 main parts



2

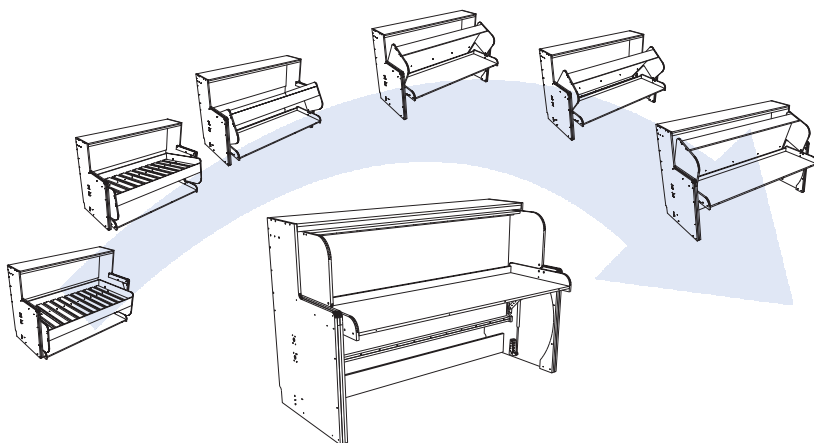
Put them together



3

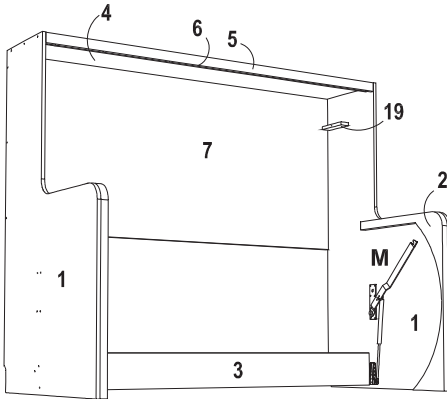
Put the mattress in its place.

LOOK, YOUR HIDDENBED IS READY!



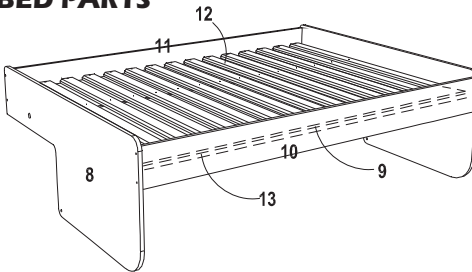
MAIN PARTS & CARPENTRY LIST

BODY PARTS



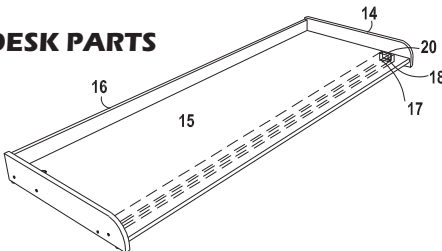
COMPONENTS		
Part N°	Name	Qty.
1a+1b	Body Side L/R	1+1
2a+2b	Body Side Concealer L/R	1+1
3	Bottom Stretcher	1
4	Body Top	1
5	Top Stretcher	1
6	Shelf Stiffener	1
7	Body Back	1
19	Bed Stop	2

BED PARTS



COMPONENTS		
8a+8b	Bed Head L/R	1+1
9a+9b	Slats Cover	1
10	Front Bed Rail	1
11	Rear Bed Rail	1
12	Bed Slats	15
13	Slats Cleats	2

DESK PARTS



COMPONENTS		
14a+14b	Desk Side L/R	1+1
15	Desk Top	1
16	Desk Back	1
17	Desk Stiffener	1
18	Tube Cover	1
20	Wood Plug	2

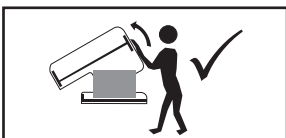
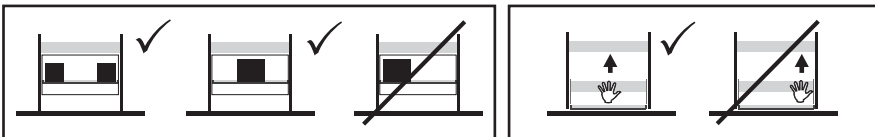
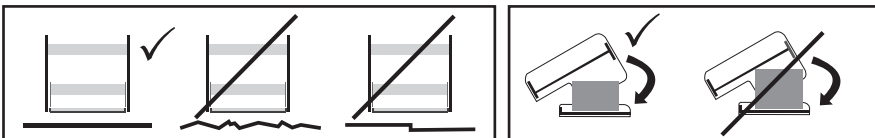
TO OBTAIN A SAFE AND RELIABLE PERFORMANCE

Make sure that:

- Side panels bears on the floor at the same level. A carpet can be placed beneath both said adjacent bearing sides, but do not place carpet or any shim beneath on side desk or body side alone.
- Stand at the middle of the furniture to make the transformation.
- Use a mattress of 25-30 Kg of a maximum height of 10 inches. Total weight added on the desk, best around 10-20 Kg and the gas spring in the pin arm position B. Using this balance settings you will not have to make more than 100N to transform a Hiddenbed furniture.
- Avoid excessive or too asymmetric loads on desk.
- While lowering, please verify that bed bottom does not touch things left on the desk. Things left on the desk cannot exceed 18 inches height. Next to the rear of the desk there is less height available.
- As with a door or a rocking chair, take good care not to trap fingers between closing parts.
- If power or signal cables are to be installed, consult a qualified person.
- If the bed does not stay down by itself, lock the locking device.
- Ask your retailer for more details.



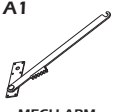

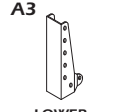
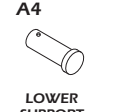

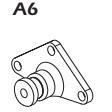
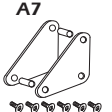






Use the lock placed at the desk side to safe use in bed and desk position.



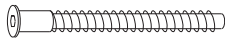
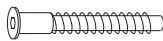
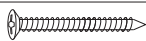
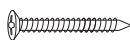

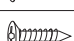

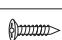
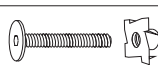

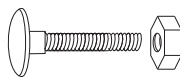
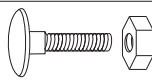

WARNINGS

(!) Like a sliding door or a car door or a bike, you have to do certain things to enjoy Hiddenbed Safely and reliably. Pay attention to these recommendations!




MECHANISM KIT

 <p>A1 MECH ARM PLATE 2 Pcs</p>	 <p>A2 GAS SPRING 1300N 2 Pcs</p>	 <p>A3 LOWER SUPPORT 2 Pcs</p>	 <p>A4 LOWER SUPPORT PIN 2 Pcs</p>	 <p>A5 COTTER PIN 2 Pcs</p>	 <p>A6 BEARER 2 Pcs</p>	 <p>A7 LINK PIVOT 2 Sets</p>
 <p>A8 TRUNNION BUSHING & SCREW 2 Sets</p>	 <p>A9 LOCK 2 Pcs</p>	 <p>A10 LOCK BUSHING 2 Pcs</p>	 <p>A11 SRING UPPER PIN 2 Pcs</p>	 <p>A12 PLASTIC FASTENER 2 Pcs</p>	<p>ADDITIONAL SAFETY DEVICE</p>  <p>SAFETY BRACKET HAFELE 271.98.100 2 Pcs</p>	

HARDWARE KIT

	Confirmat, H2, 7x70
	Confirmat, H12, 7x50
	Screw, Ph head, H10, 4.5x45
	Screw, Ph head, H14, 4.5x35
	Screw, Ph head, H20, 4.5x30
	Screw, Ph head, H9, 4.5x20
	Screw, Ph head, H13, 3.5x40
	Screw, Ph head, H4, 3.5x16
	Flat Head Allen & T nut, H6, 6x20
	Dowell, 10x30
	Bolt & nut, H30, 1/4 x 1 3/4
	Bolt & nut, H3, 1/4 x 1 1/4
	Screw & plastic anchor, H17

EXTRA TOOLS (not supplied)

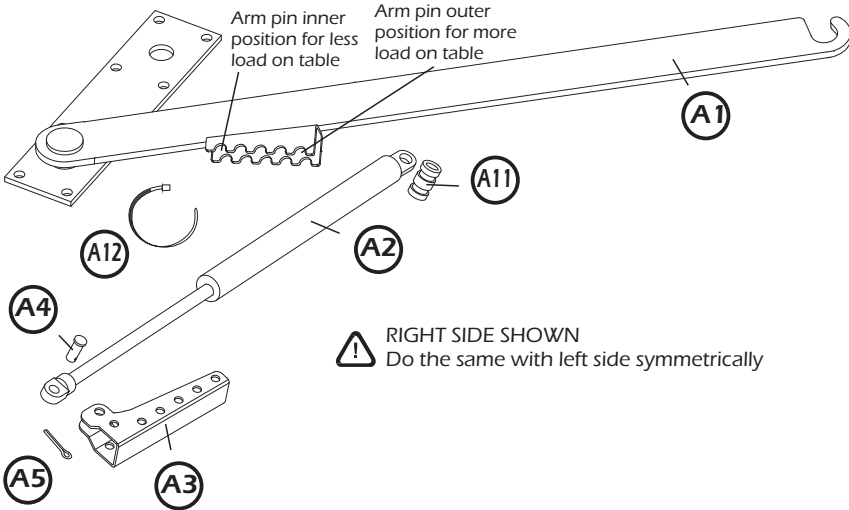
 <p>T1 M4 L-KEY 1 Pc</p>	 <p>T2 M5 L-KEY 1 Pc</p>	 <p>T3 M10 L-KEY 1 Pc</p>
--	--	---

Extra tools needed:

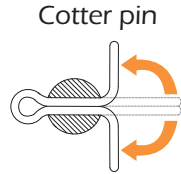
Phillips Head Screwdriver to put screw (H10, H14, H20, H9, H13, H4) and bend cotter pins.

Antiwear lubricant.

BODY ASSEMBLY

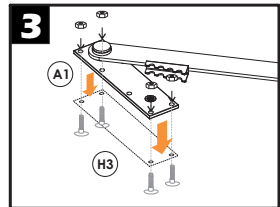


1 Attach the gas spring end to pin (A4), putting the same number of washers (A11) at the both sides of gas blade to reduce lateral play, insert coter pin (A5) and bend ends.

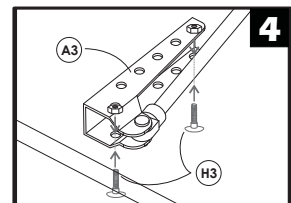


2 Attach the gas spring (A2) to lower support (A3) using lower support pin(A4), insert coter pin (A5) and bend ends.

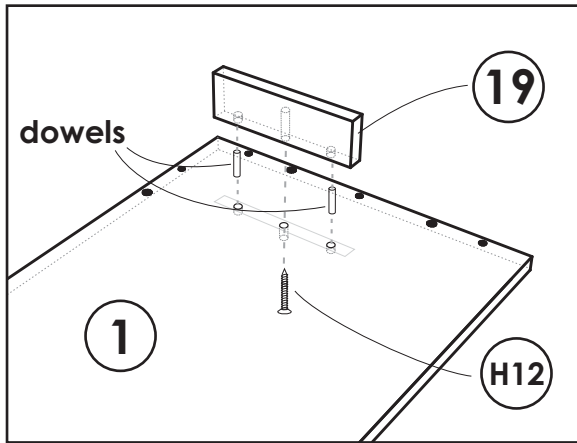
3 Attach plate (A1) to body side (1). Make sure the hook on the arms is facing upwards.



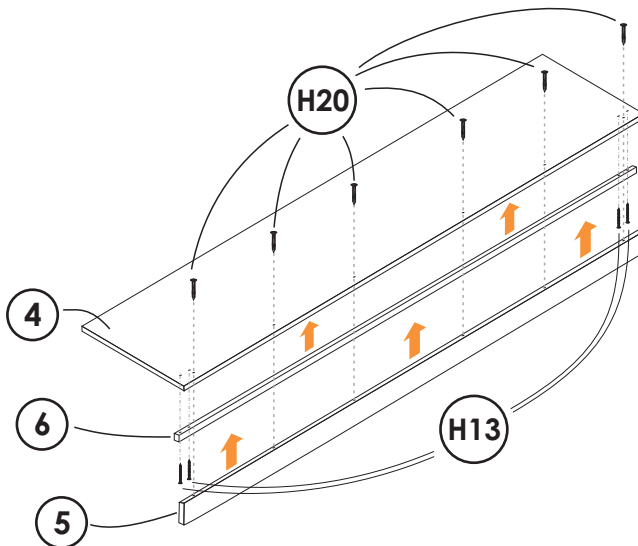
4 Attach lower support (A3) to body (1) but do not overtighten.



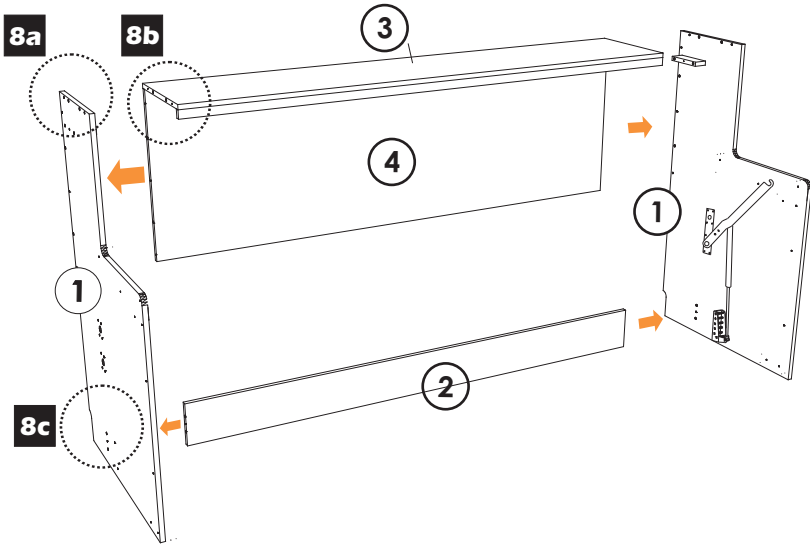
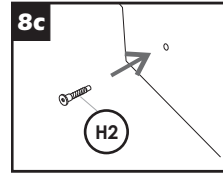
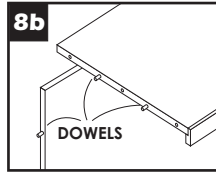
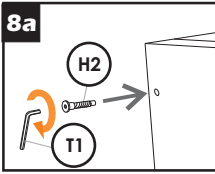
- 5** Attach bed stop(19) to body side(1) using dowels and screw H12



- 6** Attach top stretchers (5) to top panel (4) using dowels and screws H20. Attach structural tube (6) to top panel (4) using screws H13.

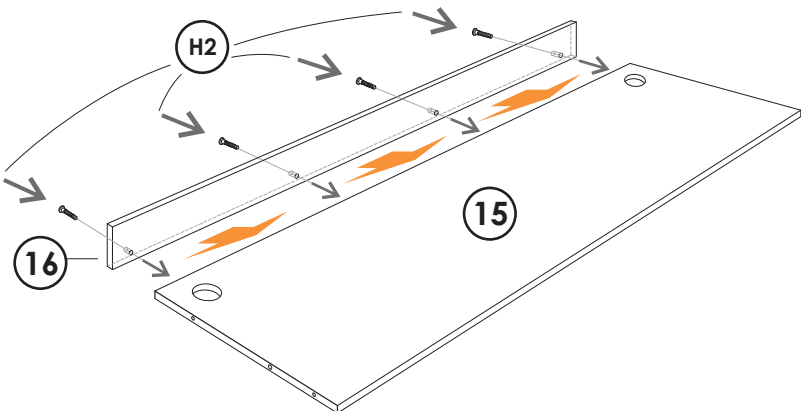


7 Attach body sides (1) to bottom stretcher (2) and top stretchers (3) fixed using dowels and screws H2.

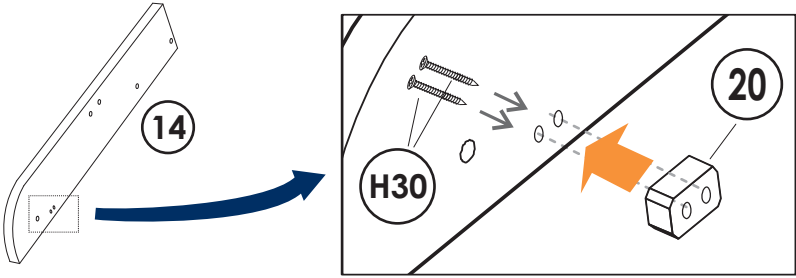


DESK ASSEMBLY

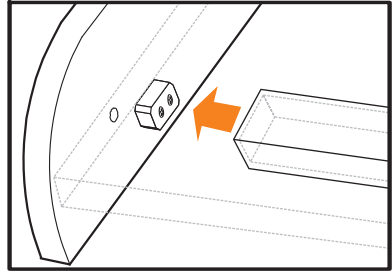
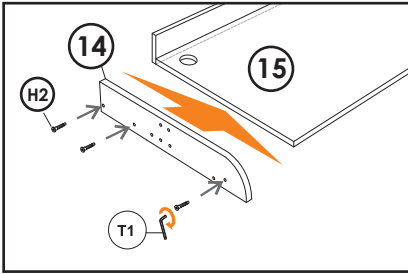
1 Attach desk back (16) to desk top (15) with screws H2



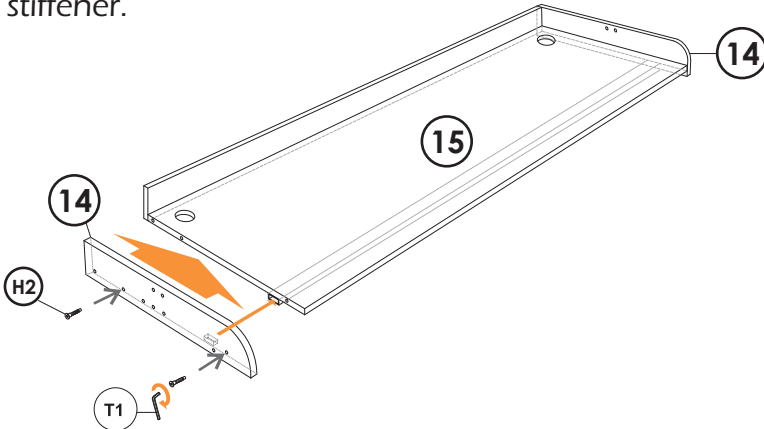
- 2** Screw wood plugs (20) to inner side of desk sides (14).



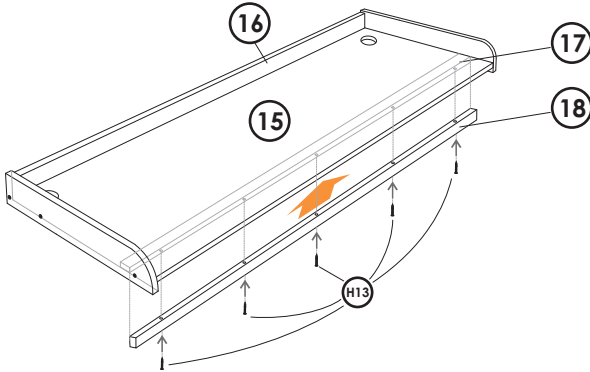
- 3** Attach one of the desk sides (14) to the desk top (15) using dowels and screws H2. Then insert wood plug (20) into the desk stiffener.



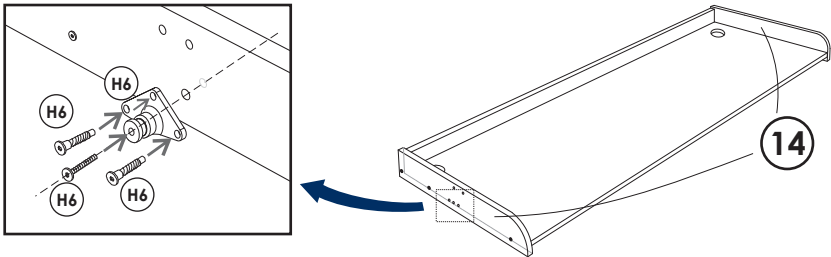
- 4** Attach the other desk side to the desk top using dowels and screws H2 and inserting the wood plug into the desk stiffener.



- 5** Attach tube cover (18) to desk top (15) using screws H13.

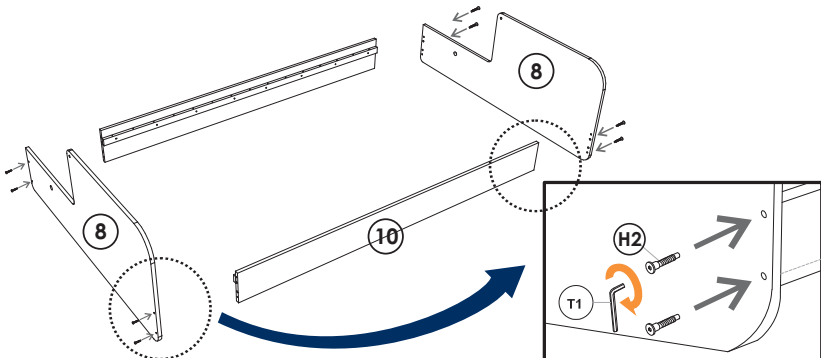


- 6** Attach the tribearer (A6) to the desk sides (14) using screw H6.



BED ASSEMBLY

- 1** Attach front rail (10) and rear rail (11) to bed heads (8) with dowels and screws (H2).
Be careful, put cleats inside. Perforations for slats should be pointing bed up. (Down in sketch position!!)



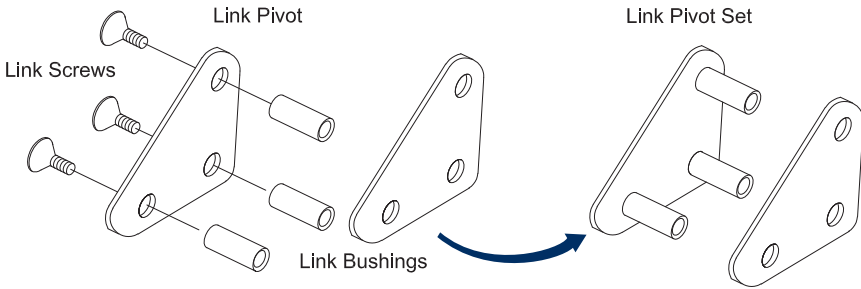
Slats and slats cover must be attached to the bed after the bed was attached to the body side.

FINAL ASSEMBLY



All the rotating metal parts (pin arm, support pin, triangle link rollers, trunnion) must be greased.

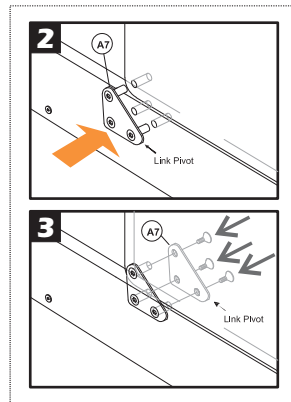
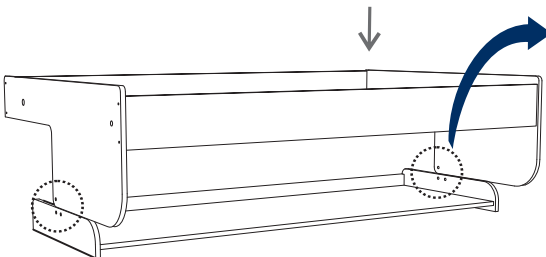
- 1 Assemble two links pivot sets attaching three link bushings to one triangle plate (outer cones to bushing) using Link Screws.



- 2 Put bed heads bearing on desk sides carefully, aligning holes (see detail in sketch STEP 2) provided for link bushings. In both sides in turn, place plate from outside the link pivot set into link holes as shown. Slightly displacing or rising the bed as required to push the link in place.




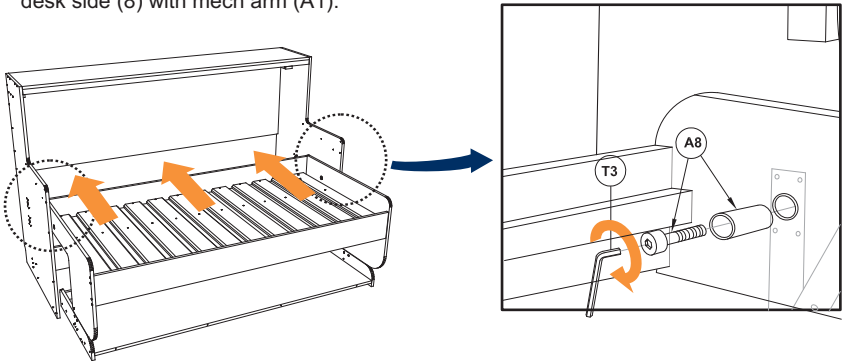
SLIGHTLY HEAVY - BE CAREFUL




- 3 Fix the remaining triangle plates (A7) with link screws to link pivot. Tighten screws, re-check tightening all screws.

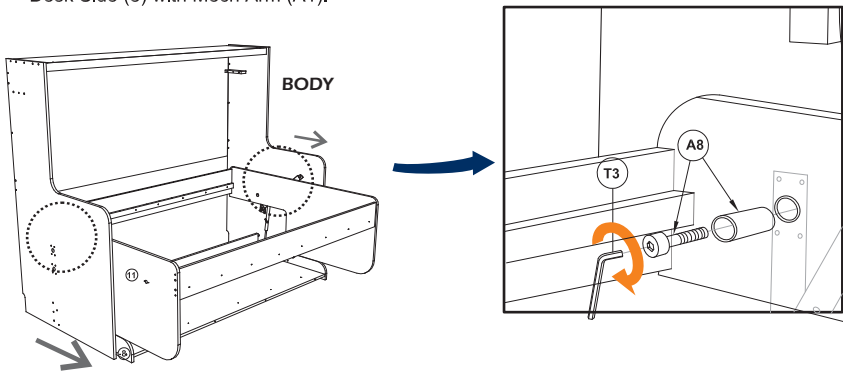
- 4** Slide body carefully in order to align plates with bed head holes. Then standing at rear side of body, introduce trunnion bushing (A8) with screw. Screw in a few turns, and let loose. Repeat at the other side. Tighten screws (A8) strongly.

 Avoid scratching bed head (11) and desk side (8) with mech arm (A1).

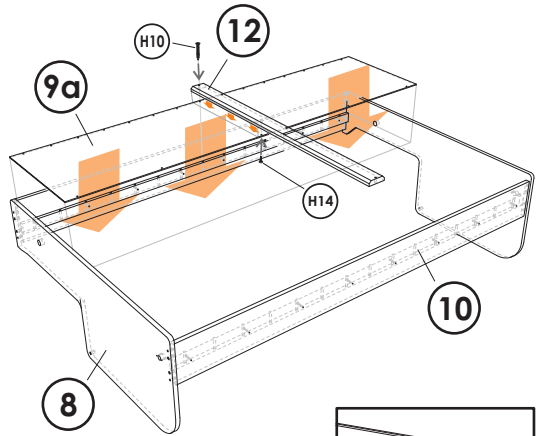


- 5** Slide body carefully in order to align plates with bed head holes. Then standing at rear side of body, introduce trunnion bushing (A8) with screw. Screw in a few turns, and let loose. Repeat at the other side. Tighten screws (A8) strongly.

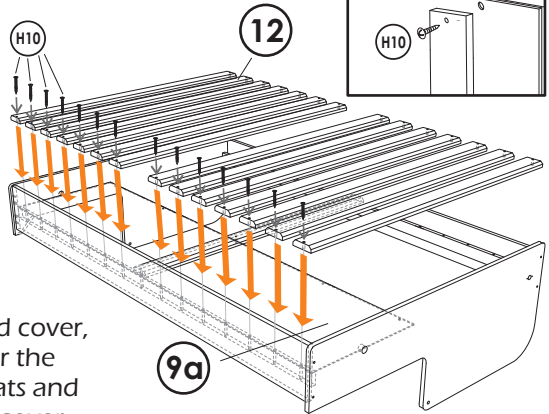
 Avoid scratching Bed Head (11) and Desk Side (8) with Mech Arm (A1).



6 Attach from behind the bed's centre slat (12) to the smaller bed cover (9a) with screw H14 with a few turns and let loose. These screws will be removed in step 8. Then attach the bed cover and the slat to the rear cleat with screw H10.

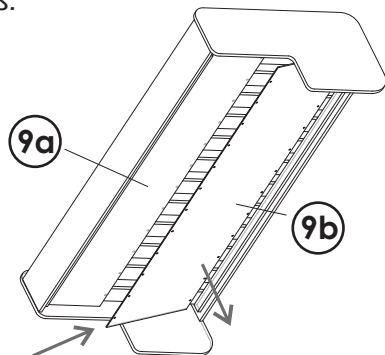
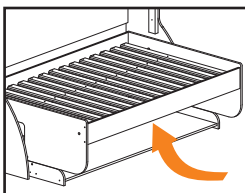


7 Pull all screws (H10) through the bed slats (12) and through narrow bed cover (9a) to screw in rear rail cleat.

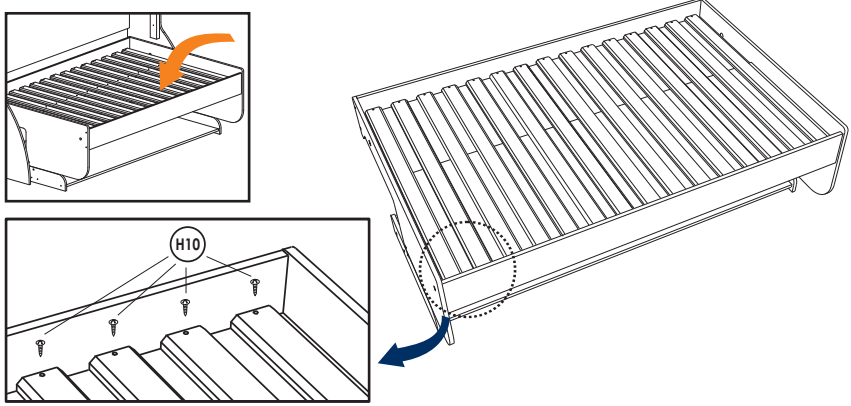


(*)_model with only one bed cover, just place the bed cover over the slats cleats then place the slats and screw the slats and the bed cover to the slats cleats.

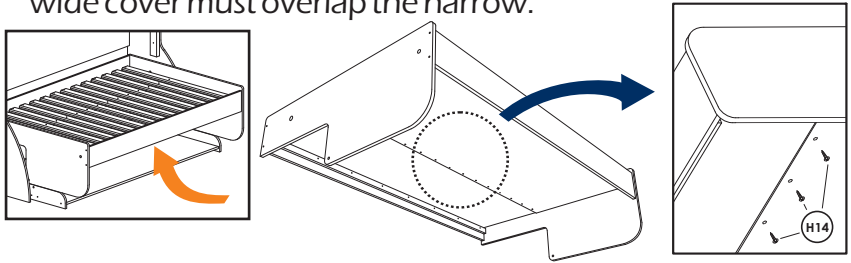
8 From under the bed. Take out the screw of step 6. Between the cleat of front rail (10) and bed slats (12), put edge of wide bed cover (9b). Use one screw H14 to fix wide and narrow cover to one of the centre slats.



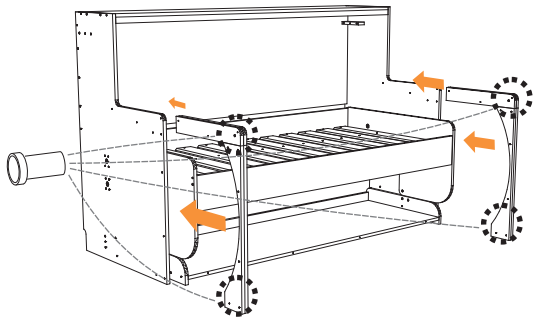
9 With the bed as shown in sketch pull all screws (H14) through the bed slats (12) and through wide bed cover (9b) to screw in front rail cleat.



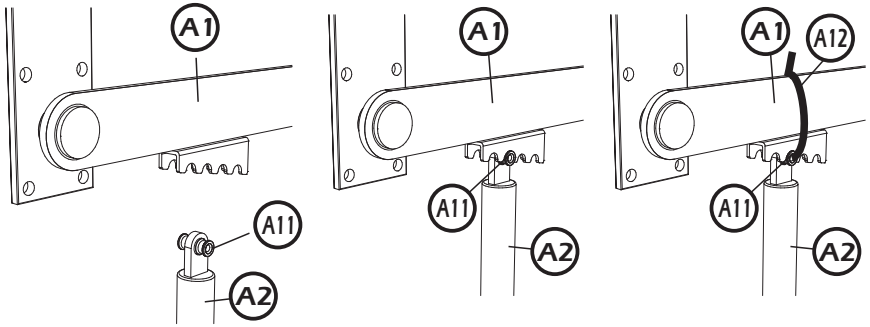
10 From under the bed. Pull screws H14 through the remaining holes fixing the narrow and wide covers with the slats. The wide cover must overlap the narrow.



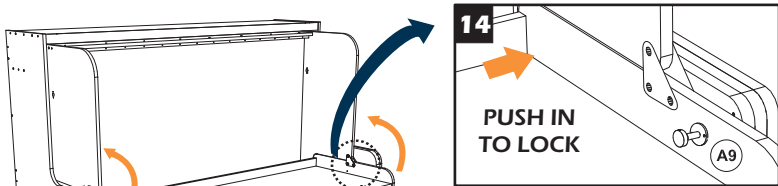
11 Attach the concealers to the body side. The bottom part should be attached after the mechanism arm is placed in the tribearer to ease the positioning of the arm. Place the plastic bushing in the concealer perforations for the locks.



- 12** Place the gas spring (A2) in the arm (A1) using the upper pin (A11). Then fix the gas spring to the arm using the plastic fastener (A12).

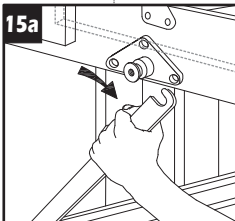


- 13** Lift the bed slowly, taking care of keeping the desk in horizontal position. Once in upper position, lock the desk by pushing in the lock at both sides.

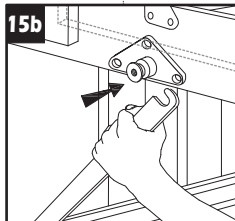


! CAUTION!

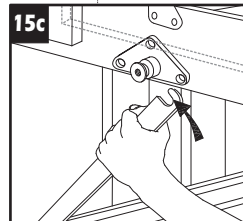
- 1- EXTRA STRENGTH REQUIRED**
We recommend to sit on the floor and pull strongly
- 2- TAKE CARE OF YOUR FINGERS**
Do not put fingers in the hook.
Hold the arm as shown.



Slowly pull mech arm downwards.



Gently push mech arm to the inner side of bearer.



Slowly release mech arm upwards to engage the bearer slotting.

ASSEMBLY HAS FINISHED

For proper use:

- Check that the floor is clear to lower the bed.
- Unlock to change from desk to bed position and lock again.
- Stand at the middle of the furniture to pull from bed beam and push down the desk to make the transformation.
- The mechanism is already calibrated to work with the mattress on and a weight similar to 25 Kg on the desk.
- Do not forget to place mattress for adequate functioning.

PROPER USE

To open the bed and move the desk down, first unlock the desk then grab the front bed rail with a hand and push down the desk with the other. To close the bed, unlock the locking device and pull up the front bed rail. Always stand at the middle of the furniture to make the transformation and grab the parts from its center.

It is important to lock the locking device after the transformation and before the use of the desk or the bed.

Hiddenbed System is based on a desk/bed balance. Unbalanced system may result on having to apply extra force when transforming from bed to desk and vice versa. Pin Arm position on arm (A,B,C) helps to balance unbalanced system (less than 20Kg and more than 20Kg on desk, less than 10 kg and more than 20kg on bed).

Side panels bears on the floor at the same level. A carpet can be placed beneath both said adjacent bearing sides, but do not place carpet or any shim beneath on side desk or body side alone. Avoid excessive or too asymmetric loads on desk.

While lowering, please verify that bed bottom does not touch things left on the desk. Things left on the desk cannot exceed 18 inches height. Next to the rear of the desk there is less height available.

As with a door or a rocking chair, take good care not to trap fingers between closing parts.

If power or signal cables are to be installed, consult a qualified person.

If the bed does not stay down by itself, lock the locking device.

Ask your retailer for more details.