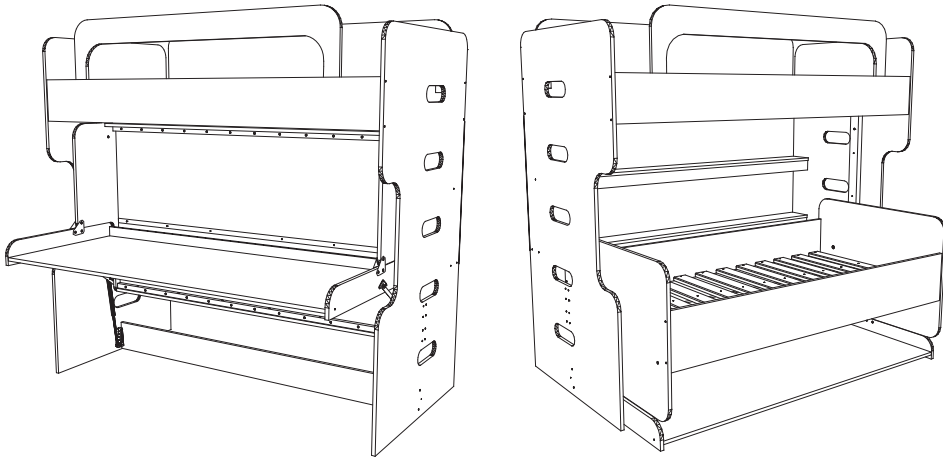


Hiddenbed ™



ASSEMBLY INSTRUCTIONS **MODEL DOUBLE DECKER**

www.hiddenbed.com

CONGRATULATIONS!

YOU ARE A PROUD OWNER OF
HIDDENBED

The ultimate furniture that Doubles your Space

Please read carefully the Assembly Instructions.

Should you have any questions

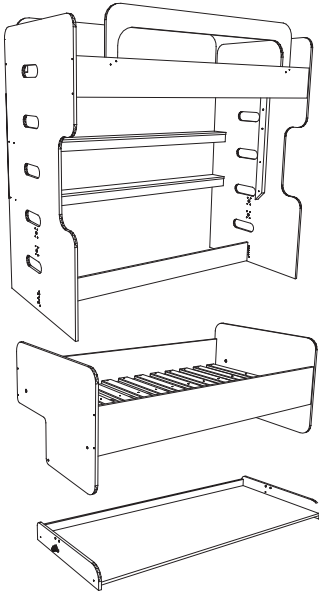
please contact our authorized dealer:

For further information please check
www.hiddenbed.com

Follow these simple steps to assemble your Hiddenbed

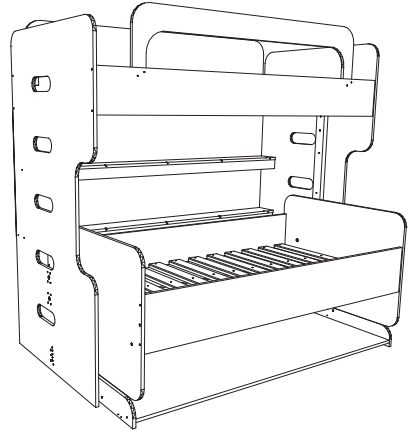
1

Assemble the 3 main parts



2

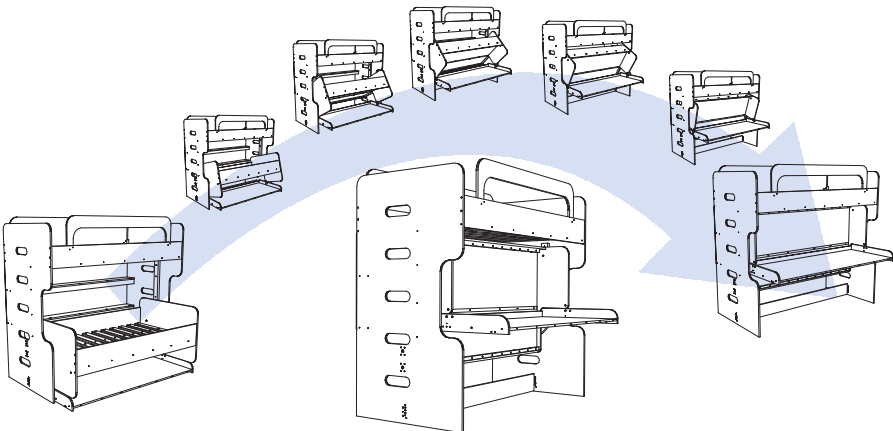
Put them together



3

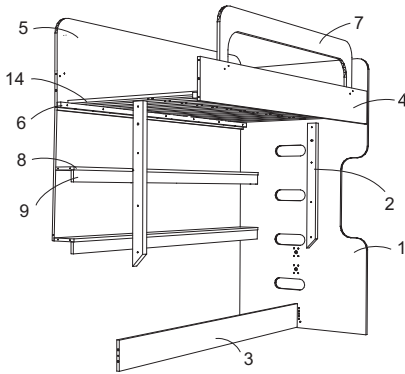
Put the mattress in its place.

LOOK, YOUR HIDDENBED IS READY!



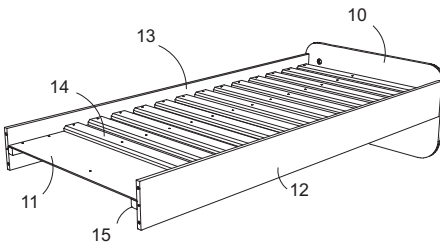
MAIN PARTS & CARPENTRY LIST

BODY PARTS



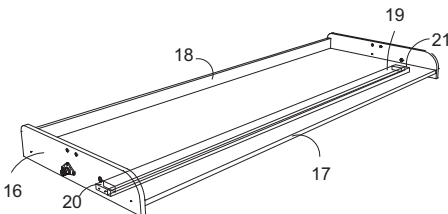
COMPONENTS		
Part N°	Name	Qty.
1a+1b	Body Side L/R	1+1
2a+2b	Concealer	1+1
3	Bottom Stretcher	1
4	Front Bunk Bed Side	1
5	Body Back	1
6	Bunk Bed Slats Cleat	2
7	Guardrail Front	1
8	Shelf	1
9	Shelf Stretcher	1

BED PARTS



COMPONENTS		
10	Bed Head L/R	1+1
11	Slats Cover	1
12	Front Bed Rail	1
13	Rear Bed Rail	1
14	Bed Slats	30
15	Slats Cleats	2

DESK PARTS

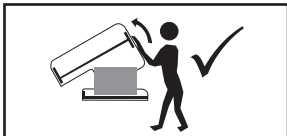
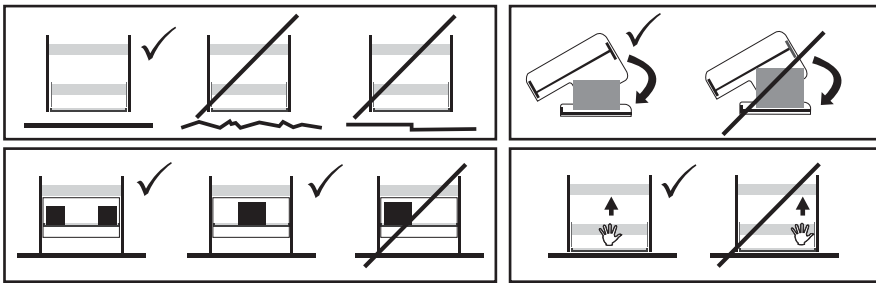


COMPONENTS		
16	Desk Side L/R	1+1
17	Desk Top	1
18	Desk Back	1
19	Desk Stiffener	1
20	Tube Cover	1
21	Wood Plug	2

TO OBTAIN A SAFE A RELIABLE PERFORMANCE



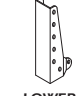
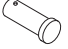

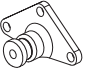
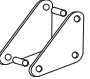




Make sure that:

- Side panels bears on the floor at the same level. A carpet can be placed beneath both said adjacent bearing sides, but not place carpet or any shim beneath on side desk or body side alone.
- Stand at the middle of the furniture to make the transformation.
- Use a mattress of of a maximum height of 10 inches.
- Total weight added on the moving parts, best around 40 lb.
- Avoid excessive or too asymmetric loads on desk.
- While lowering, please verify that bed bottom does not touch things left on the desk. Things left on the desk cannot exceed 18 inches height. Next to the rear of the desk there is less height available.
- As with a door or a rocking chair, take good care not to trap fingers between closing parts.
- If power or signal cables are to be installed, consult a qualified person.
- If the bed does not stay down by it, add more weight on the desk.
if the situation continues have the position point of action changed to a lower strength position.
- Remember a force equivalent to lift a CRT monitor is needed to transform the bed into desk.
- Ask your retailer for more details.

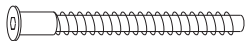
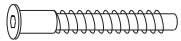
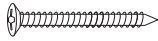


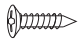
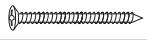
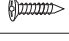






WARNINGS
 (!) Like a sliding door or a car door or a bike, you have to do certain things to enjoy Hiddenbed Safely and reliably. Pay attention to these recommendations!




MECHANISM KIT BOX A

 A1 MECH ARM PLATE 2 Pcs	 A2 GAS SPRING 2 Pcs	 A3 LOWER SUPPORT 2 Pcs	 A4 LOWER SUPPORT PIN 2 Pcs	 A5 COTTER PIN 2 Pcs	 A6 BEARER 2 Pcs
 A7 LINK PIVOT 2 Sets	 A8 TRUNNION BUSHING & SCREW 2 Sets	 A9 LOCK 2 Pcs	 A10 BRAND PLATE or STICKER 1 Pcs	 A11 PIN BALL 2 Pcs	

HARDWARE KIT

	Confirmat, H2, 7x70
	Confirmat, H12, 7x50
	Screw, Ph head, H10, 4.5x45
	Screw, Ph head, H14, 4.5x35
	Screw, Ph head, H20, 4.5x30
	Screw, Ph head, H9, 4.5x20
	Screw, Ph head, H13, 3.5x40
	Screw, Ph head, H4, 3.5x16
	Flat Head Allen & bushing, H6, 6x60
	Dowell, 10x30
	Bolt & nut, H3, 1/4 x 1 1/4
	Wood plug, WP

EXTRA TOOLS (not supplied)

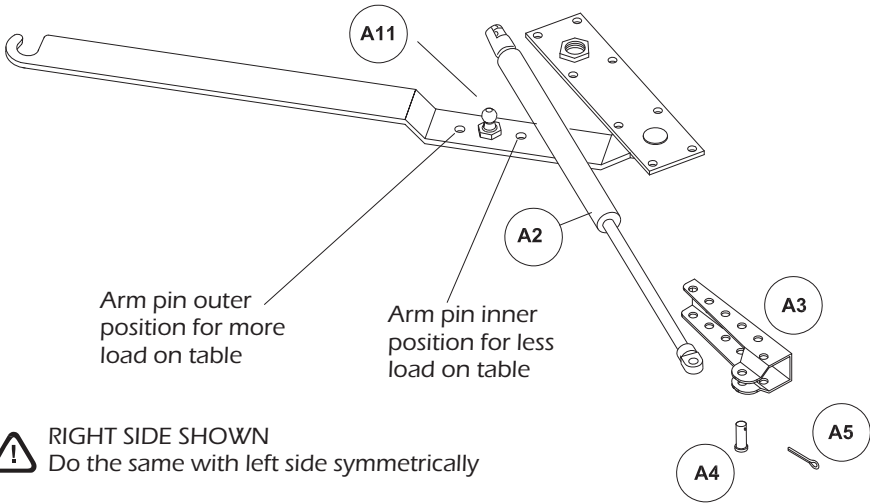
 T1 M4 L-KEY 1 Pcs	 T2 M5 L-KEY 1 Pcs	 T3 M10 L-KEY 1 Pcs
--	--	---

Extra tools needed:

Phillips Head Screwdriver to put screw (H10, H14, H20, H9, H13, H4) and bend cotter pins.

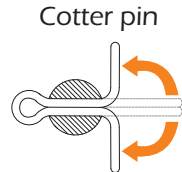
Antiwear lubricant.

BODY ASSEMBLY

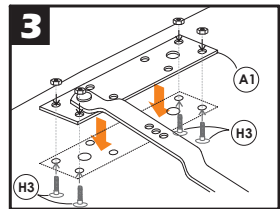


1 Attach the Gas Spring end to pin ball (A11).

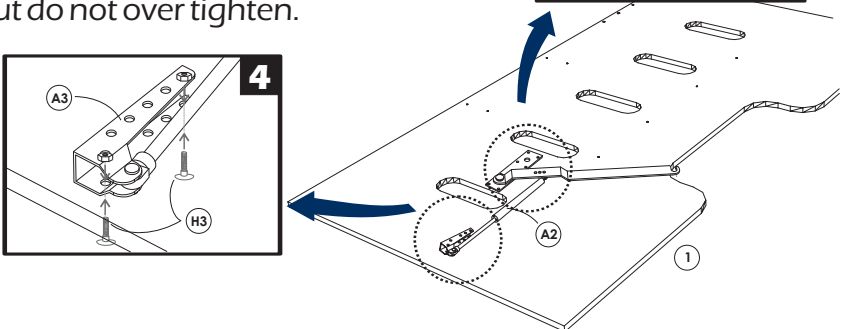
2 Attach the Gas Spring (A2) to lower support (A3) using Lower Support Pin (A4), insert cotter pin (A5) and bend ends.

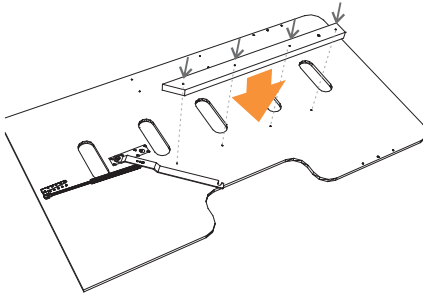


3 Attach plate (A1) to body side (1). Make sure the hook on the arms is facing upwards.

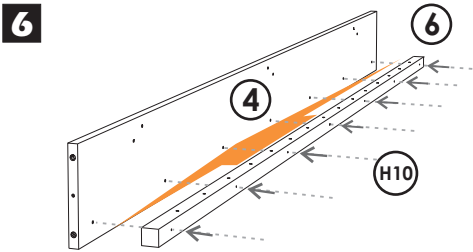


4 Attach lower support (A3) to body (1) but do not over tighten.

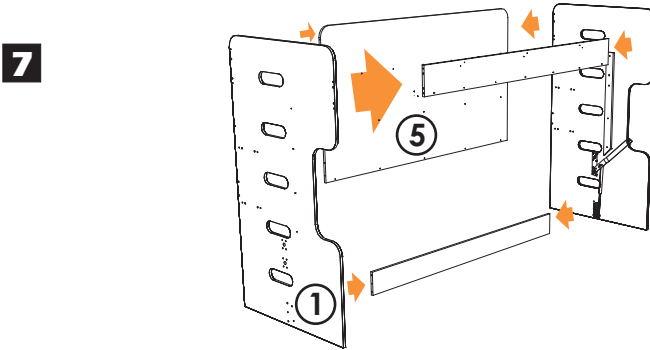




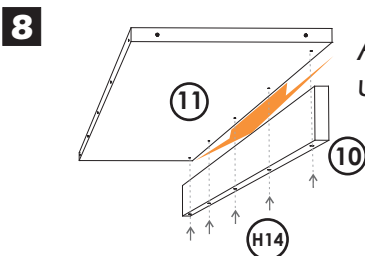
5
Attach concealer (2) to body side (1) using screws H10.



6
Attach bunk bed slat cleat (6) to bunk bed side (4) using screw H10.

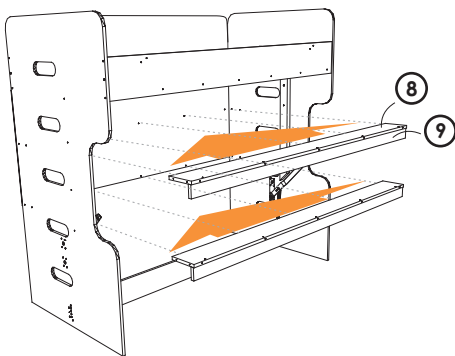


Attach body sides (1) to bottom stretcher (3), bunk bed side (4) and body back (5) fixed using dowels and screws H2.

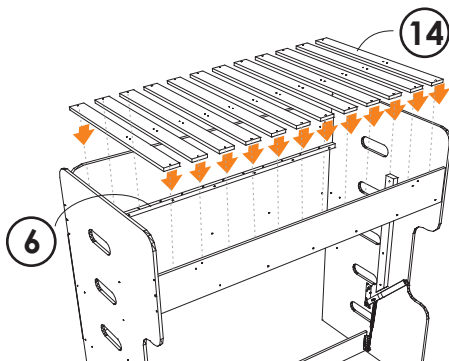


8
Attach shelf stretcher (11) to shelf (10) using screws H14.

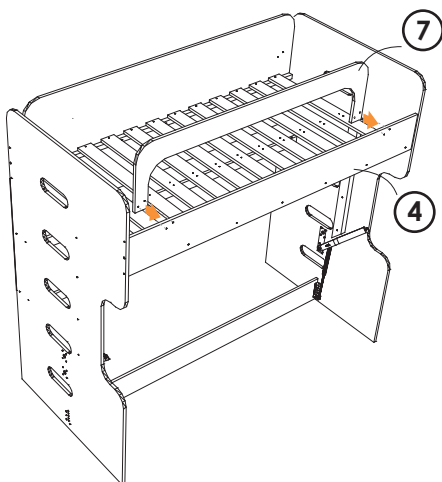
- 9** Attach shelf to body back and screws H10, also attach shelf to body side using screws H2.



- 10** Attach bed slats (14) to bunk bed slats cleats (6) using screws H10.

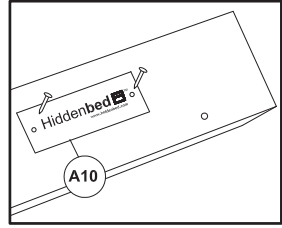


- 11** Attach front guardrail (7) to front bunk bed side (4).

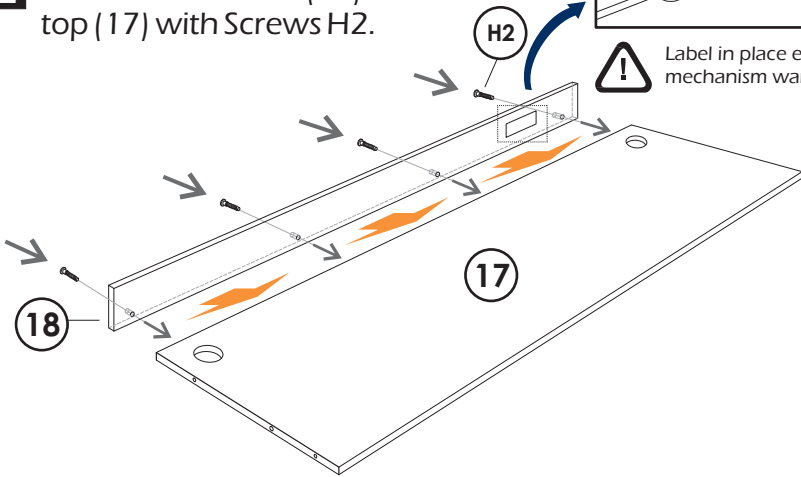


DESK ASSEMBLY

- 1** Attach Hiddenbed brand plate (A10) to desk back (18) with nails.

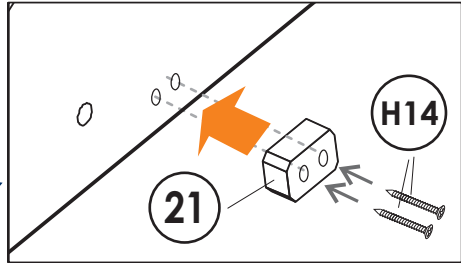
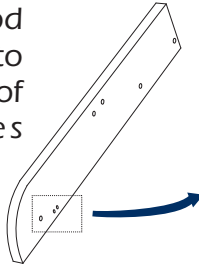


- 2** Attach desk back (18) to desk top (17) with Screws H2.

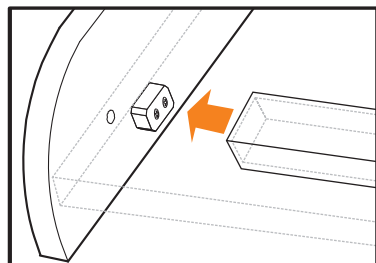
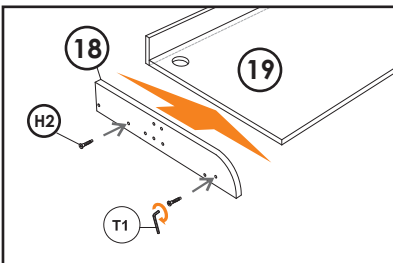


Label in place enables mechanism warranty.

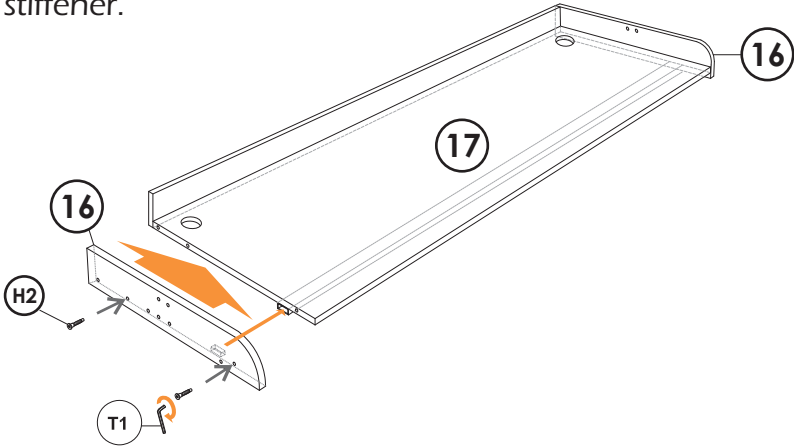
- 3** Screw wood plugs (21) to inner side of desk sides (16).



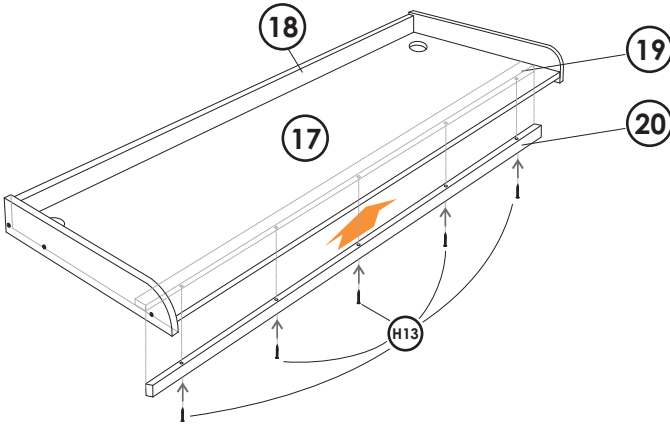
- 4** Attach one of the desk sides (16) to the desk top (17) using dowels and screws H2. Then insert wood plug into the desk stiffener.



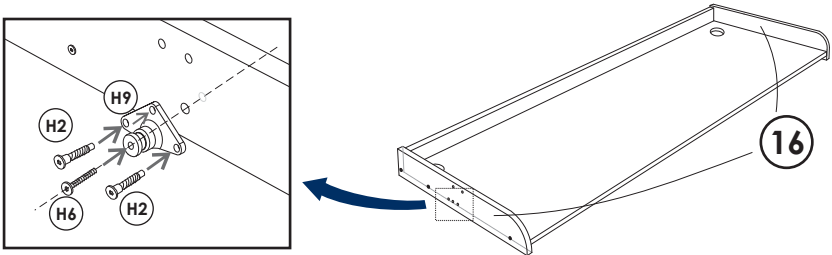
- 5** Attach the other desk side to the desk top using dowels and screws H2 and inserting the wood plug into the desk stiffener.



- 6** Attach tube cover (20) to desk top (17) using screws H13.

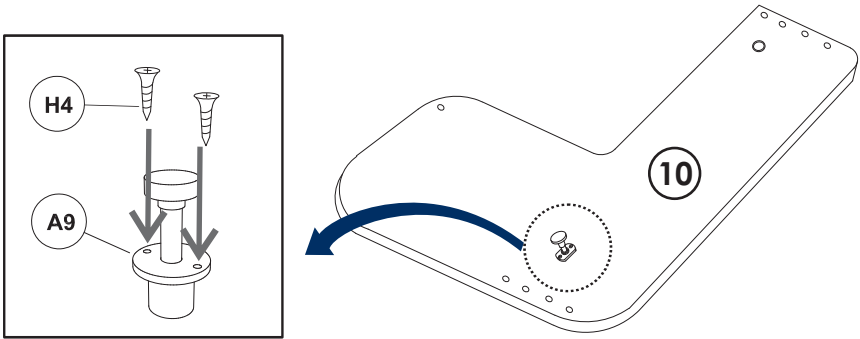


- 7** Attach the tribearer (A6) to the desk sides (16) using screw H6, H2 and H9.



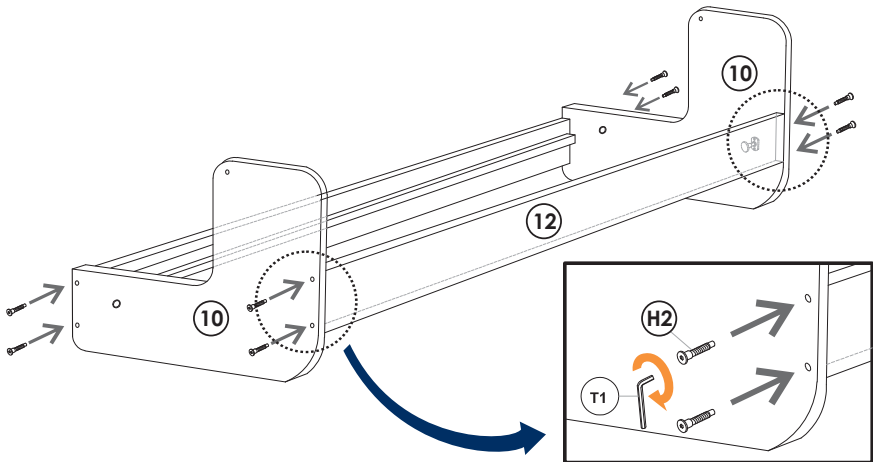
BED ASSEMBLY

- 1** Insert the locks (A9) in due perforations in the bed head (10) and put Screws with screwdriver.



- 2** Attach front rail (12) and rear rail (13) to bed heads (10) with dowels and screws (H2).

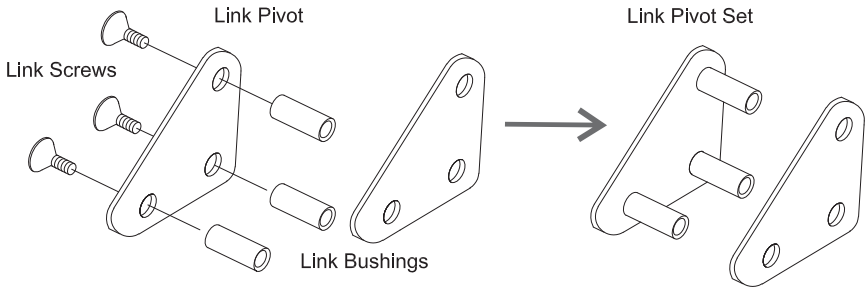
Be careful, put cleats inside. Perforations for slats should be pointing bed up. (Down in sketch position!!)



Slats and salt cover must be attached to the bed after the bed was attached to the body side.

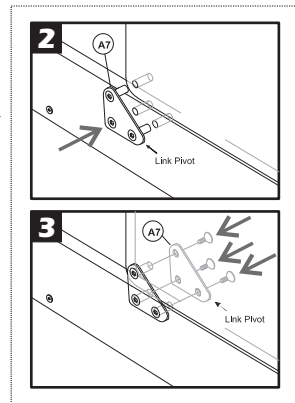
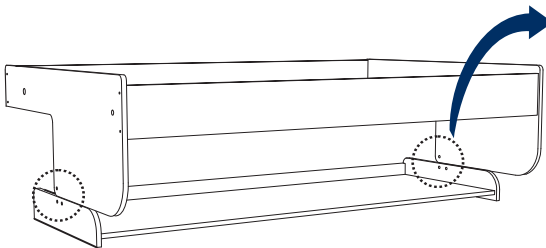
FINAL ASSEMBLY

- 1** Assemble two links pivot sets attaching three link bushings to one triangle plate (outer cones to bushing) using link screws.




- 2** Put bed heads bearing on desk sides carefully, aligning holes (see detail in sketch STEP 2) provided for link bushings. In both sides in turn, place from outside the link pivot set into link holes as shown. Slightly displacing or rising the bed as required to push the link in place.

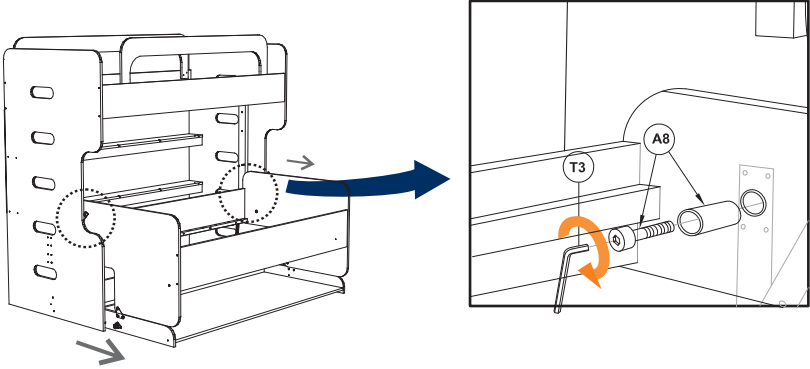
 **SLIGHTLY HEAVY - BE CAREFUL**



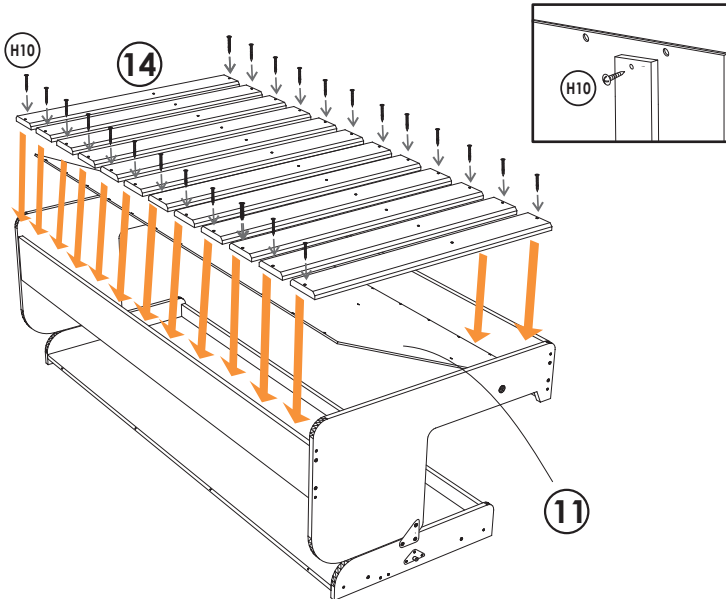
- 3** Fix the remaining triangle plates (A7) with link screws to link pivot. Tighten screws, re-check tightening all screws.

- 4** Slide body carefully in order to align plates with bed head holes. Then standing at rear side of the body, introduce trunnion bushing (A8) with the screw. Screw in a few turns, and let loose.

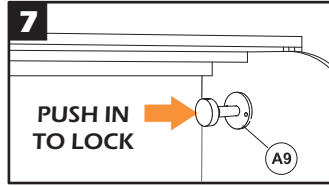
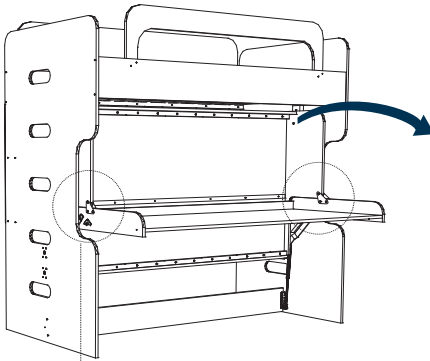
 Avoid scratching Bed Head and Desk Side with Mech Arm (A1).



- 5** Place the bed cover over the slat cleat. Pull all screws (H10) through the bed slats (14) and through bed cover (11) to screw in slat cleat.

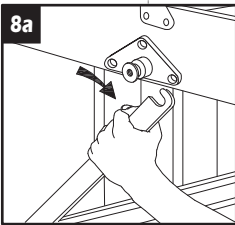


- 6** Lift the bed slowly, taking care of keeping the desk in horizontal position. Once in upper position, lock the bed by pushing in the Lock at both sides.

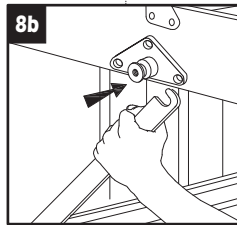


⚠ CAUTION!

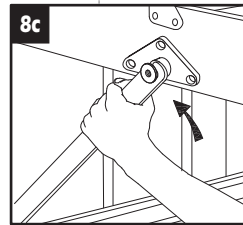
- 1- EXTRA STRENGTH REQUIRED**
We recommend to sit on the floor and pull strongly
- 2- TAKE CARE OF YOUR FINGERS**
Do not put fingers in the hook. Hold the arm as shown.



Slowly pull Mech Arm downwards.



Gently push Mech Arm to the inner side of bearer.



Slowly release Mech Arm upwards to engage the bearer slotting.

ASSEMBLY HAS FINISHED

For Normal Use:

- Check that the floor is clear to lower the bed.
- Unlock to change from desk to bed position.
- Stand at the middle of the furniture to pull from the bed beam and push down the desk to make the transformation.
- The mechanism is already calibrated to work with the mattress on and a weight similar to 35/40 lbs. on the desk.
- If the bed doesn't stay down by itself, add more weight on the desk.

