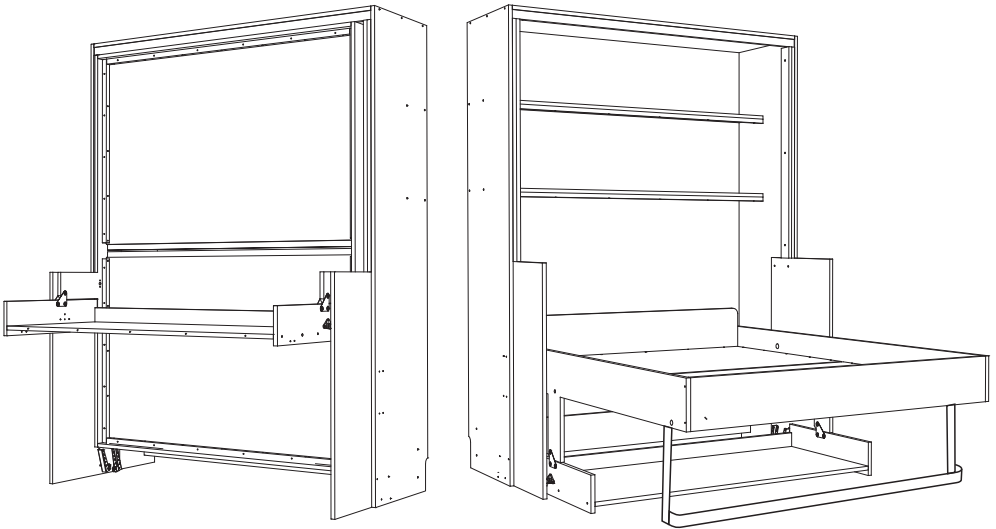


# Hiddenbed ™



## ASSEMBLY INSTRUCTIONS MODEL MAJESTIC

[www.hiddenbed.com](http://www.hiddenbed.com)

# CONGRATULATIONS!

YOU ARE A PROUD OWNER OF  
HIDDENBED

The ultimate furniture that Doubles your Space

Please read carefully the Assembly Instructions.

Should you have any questions

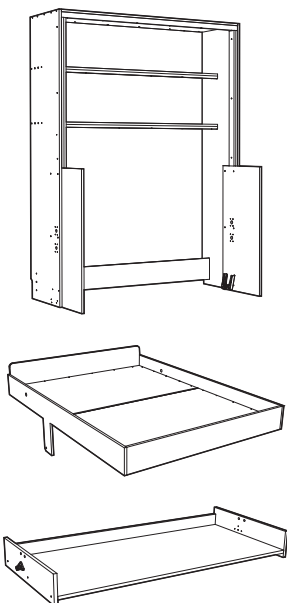
please contact our authorized dealer:

For further information please check  
**[www.hiddenbed.com](http://www.hiddenbed.com)**

# Follow these simple steps to assemble your Hiddenbed

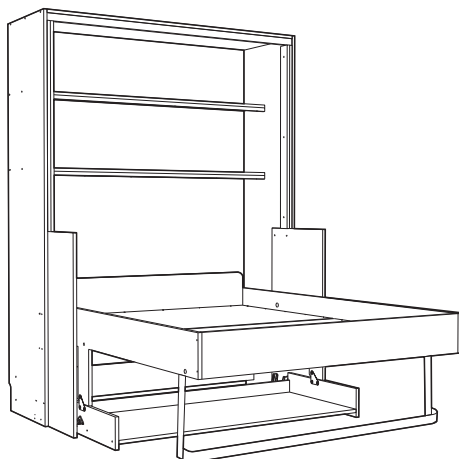
**1**

**Assemble the 3 main parts**



**2**

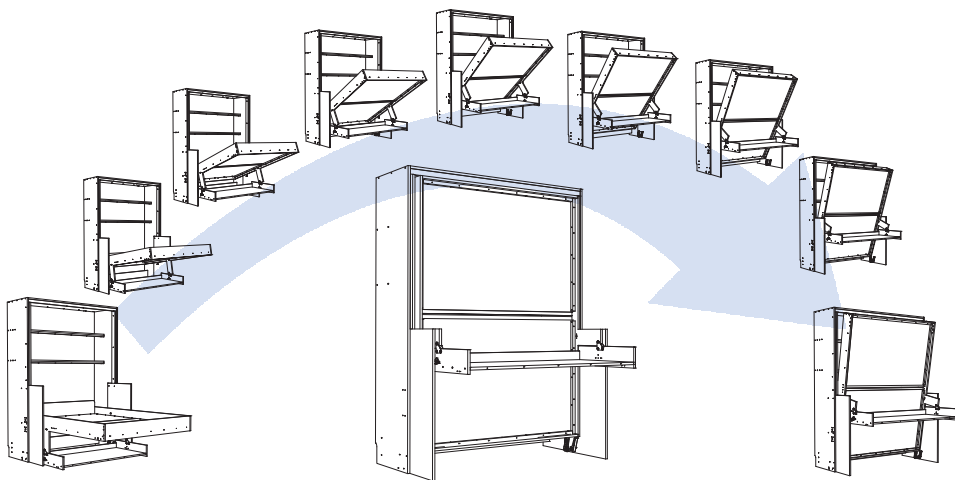
**Put them together**



**3**

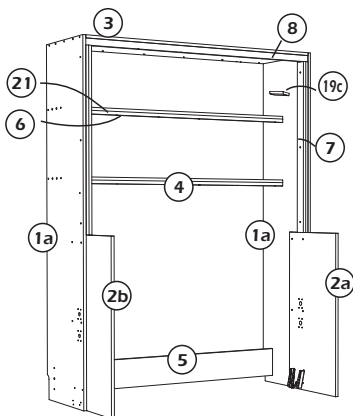
**Put the mattress in its place.**

**LOOK, YOUR HIDDENBED IS READY!**



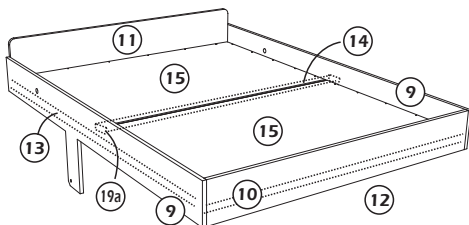
# PARTES PRINCIPALES Y LISTA DE CARPINTERÍA

## PARTES DEL CUERPO



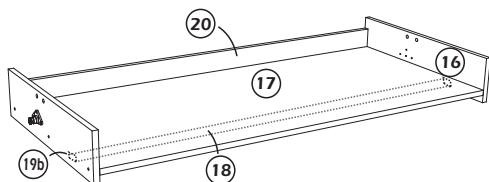
COMPONENTES		
Nº de Parte	Nombre	Cant.
1a+1b	Body Side L/R	1+1
2a+2b	Inner Body Side L/R	1+1
3	Body Top	1
4	Shelf	2
5	Bottom Stretcher	1
6	Shelves Concealer	4
7	Concealer	4
8	Top Stretcher	2
19c	Stop	2
21	Shelf Tube	2

## PARTES DE LA CAMA



COMPONENTES		
9	Bed Side L/R	1+1
10	Bed Feet	1+1
11	Bed Head	1
12	Front / Rear Cleats	2
13	Side Cleats	4
14	Bed Stiffener	1
15	Mattress Support	2
19a	Plug Stiffener Support	2

## PARTES DEL ESCRITORIO

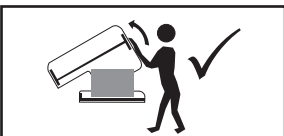
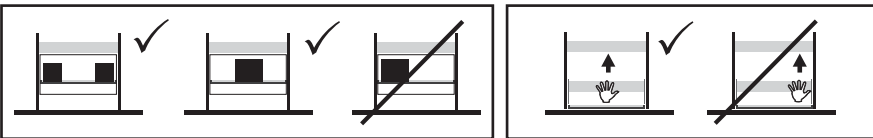
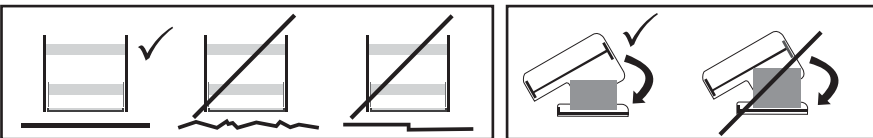


COMPONENTES		
16	Desk Side L/R	1+1
17	Desk Top	1
18	Desk Stiffener	1
19b	Plug Stiffener Support	2
20	Desk Back	1

# TO OBTAIN A SAFE A RELIABLE PERFORMANCE

Make sure that:






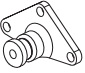
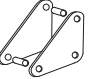





- Side panels bears on the floor at the same level. A carpet can be placed beneath both said adjacent bearing sides, but not place carpet or any shim beneath on side desk or body side alone.
- Stand at the middle of the furniture to make the transformation.
- Use a mattress of ..... of a maximum height of 10 inches.
- Total weight added on the moving parts, best around 40 lb.
- Avoid excessive or too asymmetric loads on desk.
- While lowering, please verify that bed bottom does not touch things left on the desk. Things left on the desk cannot exceed 18 inches height. Next to the rear of the desk there is less height available.
- As with a door or a rocking chair, take good care not to trap fingers between closing parts.
- If power or signal cables are to be installed, consult a qualified person.
- If the bed does not stay down by it, add more weight on the desk.  
if the situation continues have the position point of action changed to a lower strength position.
- Remember a force equivalent to lift a CRT monitor is needed to transform the bed into desk.
- Ask your retailer for more details.



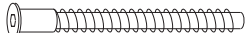
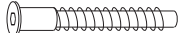

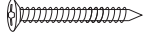
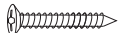


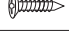




## WARNINGS

(!) Like a sliding door or a car door or a bike, you have to do certain things to enjoy Hiddenbed Safely and reliably. Pay attention to these recommendations!

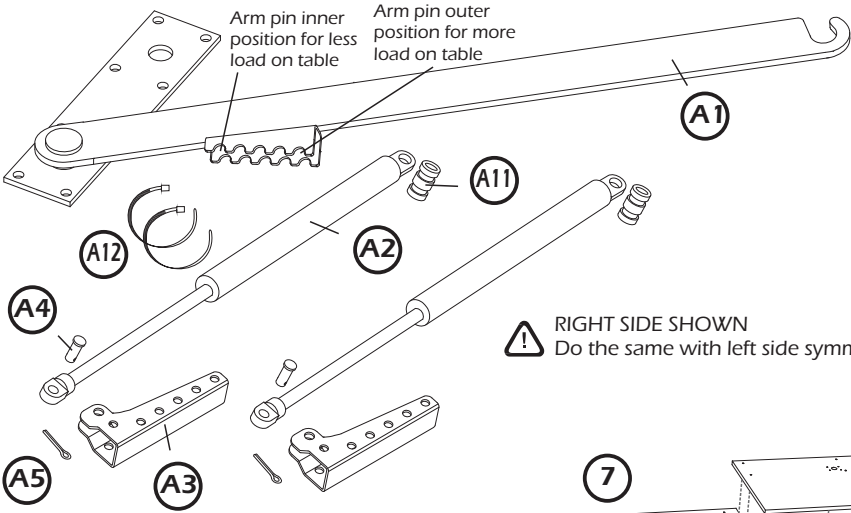
## MECHANISM KIT BOX A

<b>A1</b>  <b>MECH. ARM PLATE</b> 2 Pcs	<b>A2</b>  <b>GAS SPRING</b> 4 Pcs	<b>A3</b>  <b>LOWER SUPPORT</b> 4 Pcs	<b>A4</b>  <b>LOWER SUPPORT PIN</b> 4 Pcs	<b>A5</b>  <b>COTTER PIN</b> 4 Pcs	<b>A6</b>  <b>TRIBEARER</b> 2 Pcs
<b>A7</b>  <b>LINK PIVOT</b> 2 Sets	<b>A8</b>  <b>TRUNNION BUSHING &amp; SCREW</b> 2 Sets	<b>A9</b>  <b>LOCK</b> 2 Pcs	<b>A10</b>  <b>BRAND PLATE</b> 1 Pcs	<b>A11</b>  <b>SRING UPPER PIN</b> 4 Pcs	<b>A12</b>  <b>PLASTIC FASTENER</b> 4 Pcs

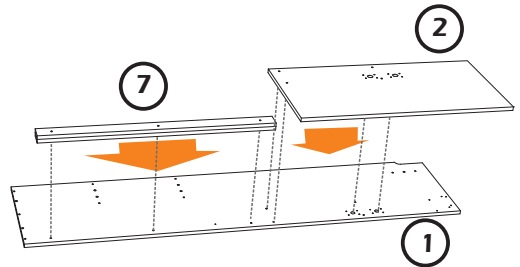
## HARDWARE KIT

	<b>Confirmat, H2, 7x70</b>
	<b>Confirmat, H12, 7x50</b>
	<b>Screw, Ph head, H10, 4.5x45</b>
	<b>Screw, Ph head, H14, 4.5x35</b>
	<b>Screw, Ph head, H20, 4.5x30</b>
	<b>Screw, Ph head, H9, 4.5x20</b>
	<b>Screw, Ph head, H13, 3.5x40</b>
	<b>Screw, Ph head, H4, 3.5x16</b>
	<b>Flat Head Allen &amp; bushing, H6, 6x60</b>
	<b>Dowel, 10x30</b>
	<b>Bolt &amp; nut, H3, 1/4 x 1 1/4</b>
	<b>Wood plug, WP</b>

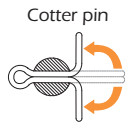
# BODY ASSEMBLY



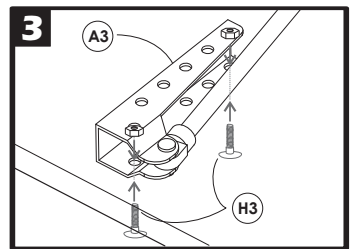
**1** Attach the Concealer (7) and the to the Body Side(1).



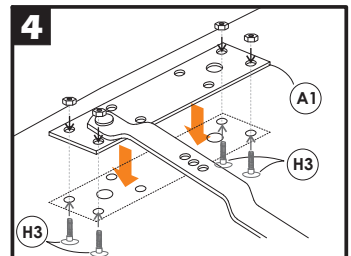
**2** Attach the Gas Spring end to pin (A4), insert cotter pin (A5) and bend ends.

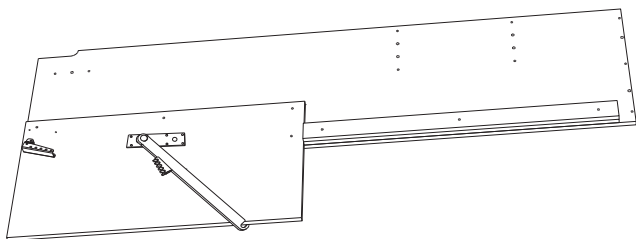


**3** Attach lower Support (A3) to Body (1) but do not over tighten.

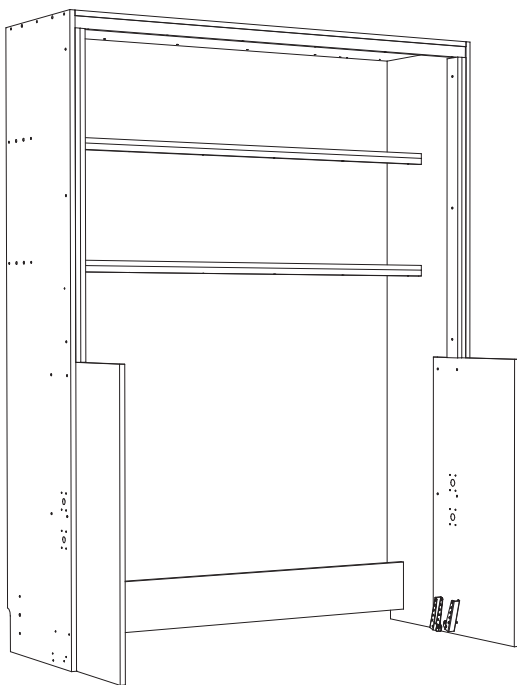
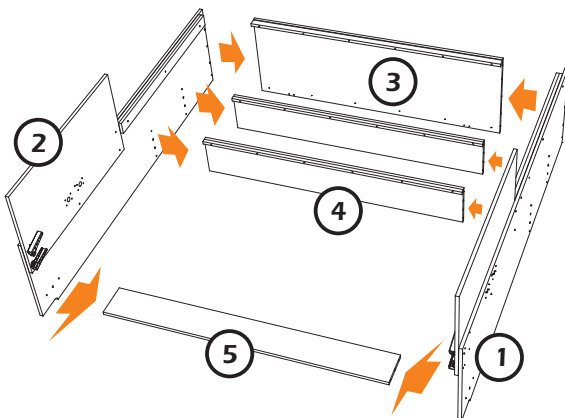


**4** Attach Plate (A1) to Body Side (1). Make sure the hook on the arms is facing upwards.



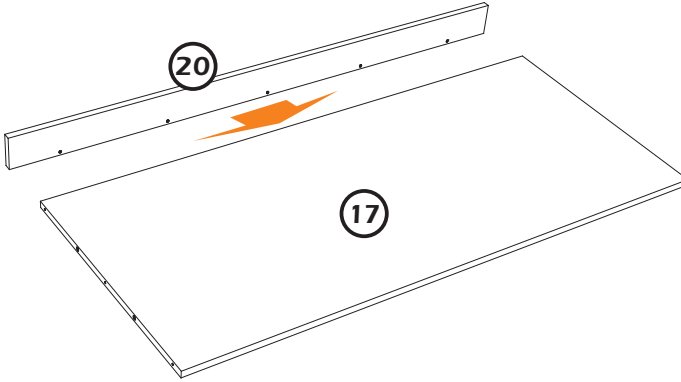


**5** Attach body side to body top, shelves and bottom stretcher.

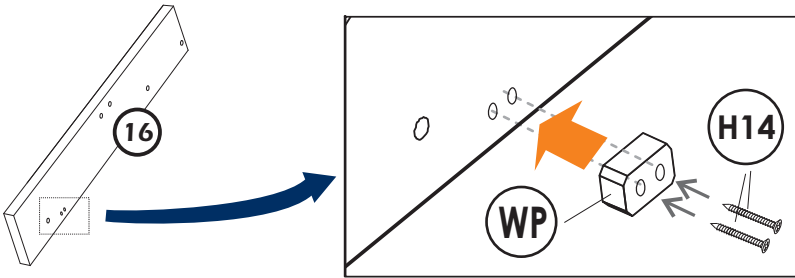


# DESK ASSEMBLY

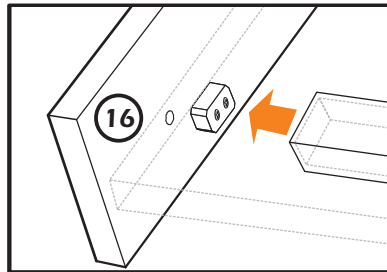
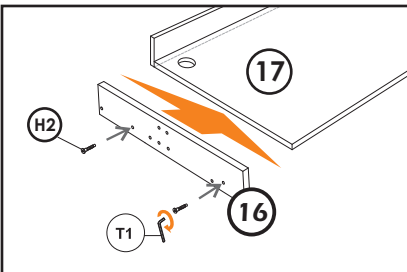
**1** Attach Desk Back (20) to Desk Top (17) with Screws H2



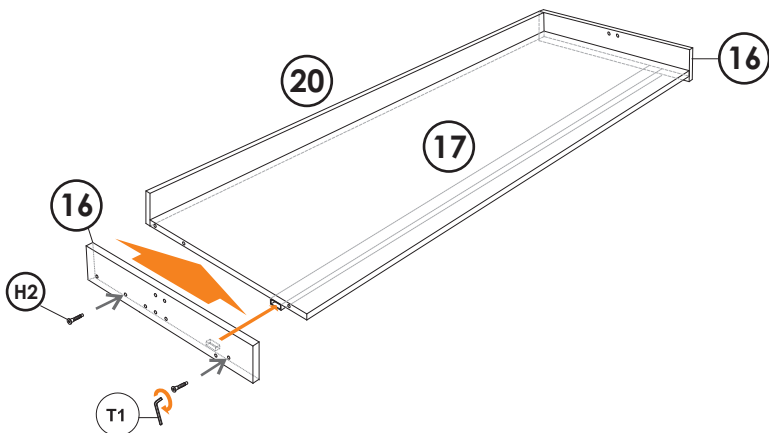
**2** Screw Wood Plugs (WP) to inner side of Desk Sides (16).



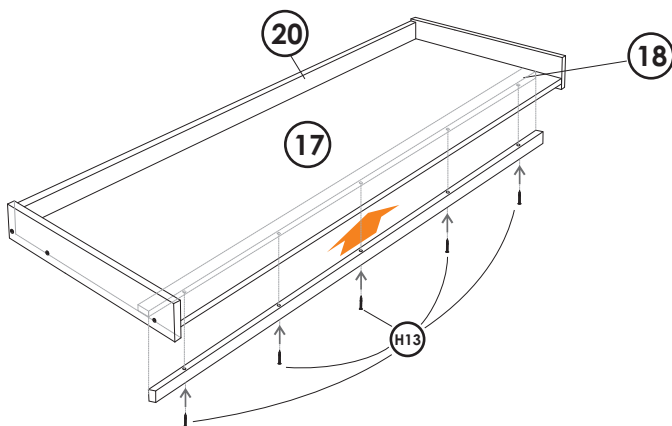
**3** Attach one of the Desk Sides (8) to the Desk Top (7) using dowels and screws H2. Then insert Wood Plug (WP) into the Desk Stiffener.



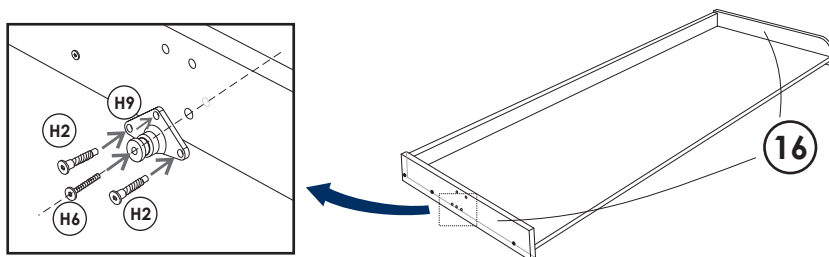
- 4** Attach the other Desk Side to the Desk Top using dowels and screws H2 and inserting the Wood Plug into the Desk Stiffener.



- 5** Attach Tube Cover to Desk Top(17) using screws H13.

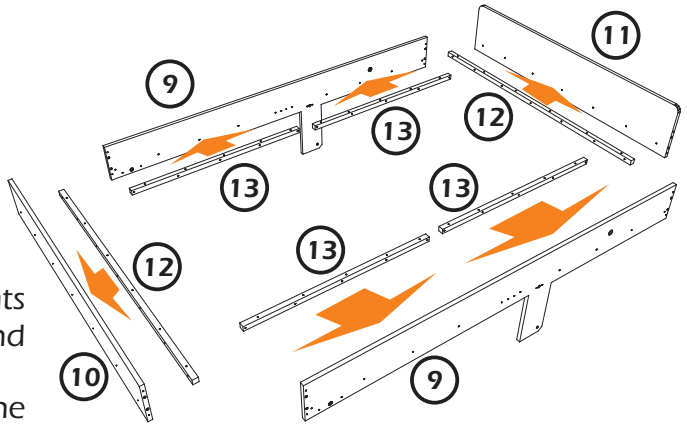


- 6** Attach the Tribearer(A6) to the Desk Sides(16) using screw H6, H2 and H9.

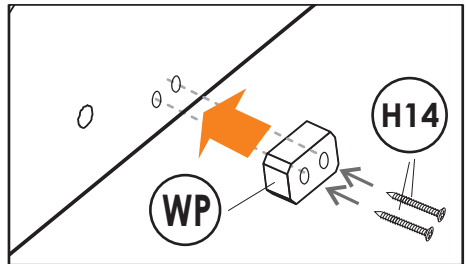


# BED ASSEMBLY

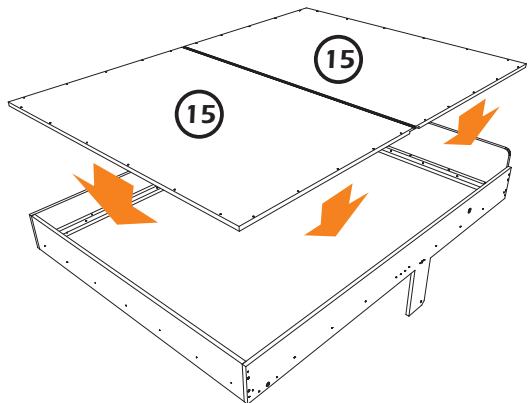
- 1** Attach slat cleats to bed sides and bed rails. Also attach the bed rails to bed sides.



- 2** Screw Wood Plugs (WP) to inner side of Bed Sides(9).

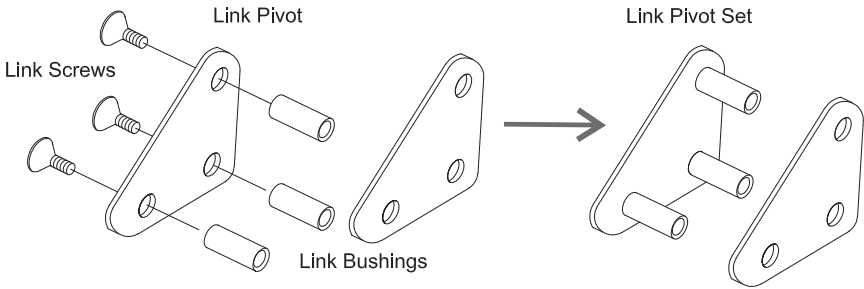


- 3** Place and attach the mattress support to the cleats with screws H10.



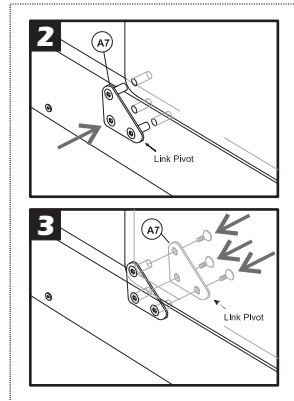
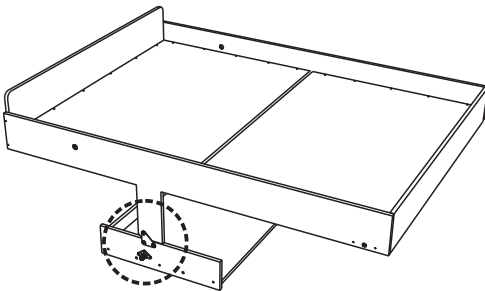
# FINAL ASSEMBLY

- 1** Assemble two Links Pivot Sets attaching three link Bushings to one triangle plate (outer cones to bushing) using Link Screws.



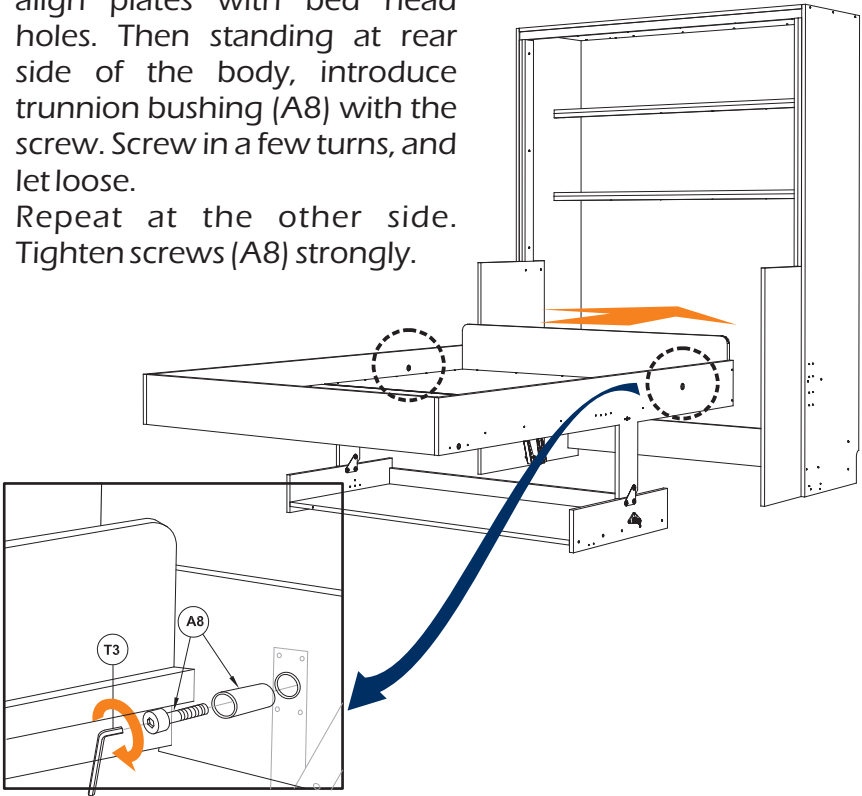
- 2** Put bed heads bearing on desk sides carefully, aligning holes (see detail in sketch STEP 2) provided for Link bushings. In both sides in turn, place place from outside the Link Pivot Set into link holes as shown. Slighty displacing or rising the bed as required to push the Link in place.

 SLIGHTLY HEAVY - BE CAREFUL

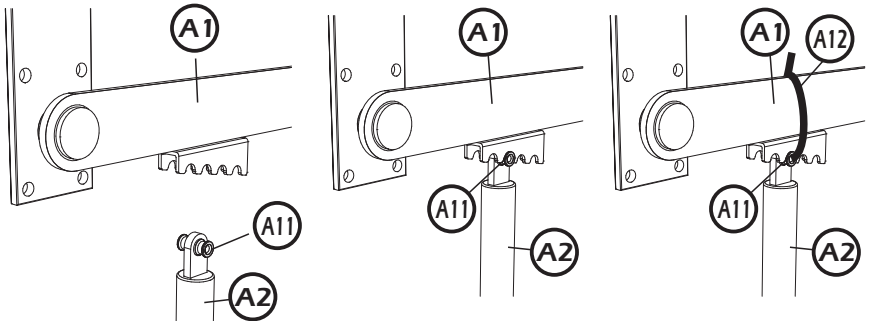


- 3** Fix the remaining Triangle plates (A7) with Link Screws to Link Pivot. Tighten screws, re-check tightening all screws.

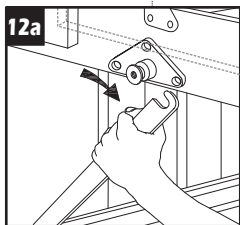
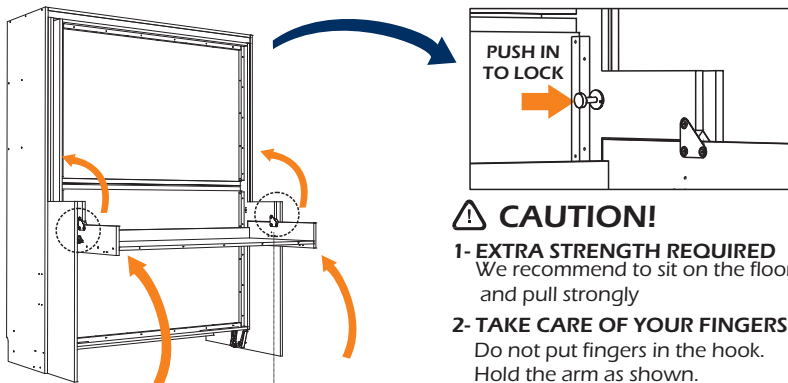
- 4** Slide body carefully in order to align plates with bed head holes. Then standing at rear side of the body, introduce trunnion bushing (A8) with the screw. Screw in a few turns, and let loose. Repeat at the other side. Tighten screws (A8) strongly.



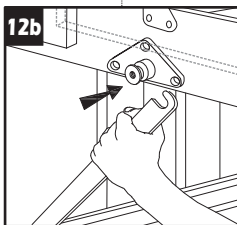
- 5** Place the gas spring (A2) in the arm (A1) using the upper pin (A11). Then fix the gas spring to the arm using the plastic fastener (A12). Each arm uses 2 gas springs, one on each slot end.



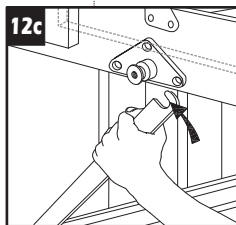
Lift the bed slowly, taking care of keeping the desk in horizontal position. Once in upper position, lock the bed by pushing in the Lock at both sides.



12a  
Slowly pull Mech Arm downwards.



12b  
Gently push Mech Arm to the inner side of bearer.



12c  
Slowly release Mech Arm upwards to engage the bearer slotting.

## ASSEMBLY HAS FINISHED

For Normal Use:

- Check that the floor is clear to lower the bed.
- Unlock to change from desk to bed position.
- Stand at the middle of the furniture to pull from bed beam and push down the desk to make the transformation.
- The mechanism is already calibrated to work with the mattress on and a weight similar to 35/40 lbs. on the desk.
- If the bed doesn't stay down by itself, add more weight on the desk.