

SIMONSWERK VARIANT® VX

VX 7939/100

for rebated heavy-duty doors

hinge

Technical details

load capacity	100,0 kg
knuckle length	95,0 mm
knuckle diameter	20,0 mm
material thickness	3,5 mm
cutter diameter	24,0 mm
screws	5,0x50,0 mm

descriptive text

SIMONSWERK VARIANT heavy duty hinge VX 7939/100 for rebated doors with timber, steel or aluminium frames with three-dimensionally adjustable SIMONSWERK receivers VARIANT VX. CE-certified, load capacity 100 kg, knuckle length 95 mm, knuckle diameter 20 mm, right hand and left hand applicable. Internal torsion-proof screw pin, concealed, maintenance-free, generously dimensioned axial-radial slide bearings. Finish...

Note

The load capacity mentioned above refers to the use of 2 hinges per door leaf (1 x 2 m).

Also available with security pin (MSTS).

Product features

- for rebated heavy-duty doors
- for timber, steel or aluminium frames
- for 3D adjustable VARIANT VX receivers
- internal torsion-proof screw pin
- concealed, maintenance-free axial-radial slide bearings

Functional areas

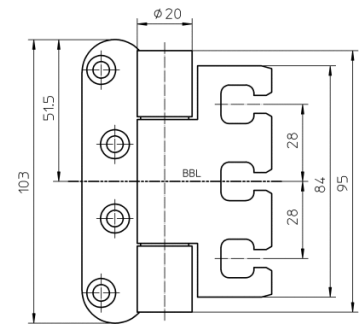
fire resistance, smoke resistance

Quality marks

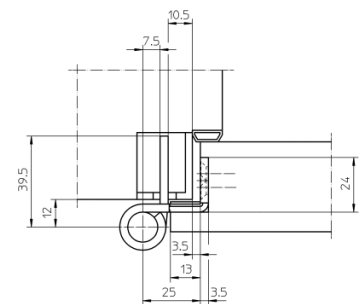


Combination

receiver	VX 2501 3D
	VX 7501 3D
	VX 2502 3D
	VX 7502 3D
	VX 7506 3D
	VX 2505 3D



front view



block frame

SIMONSWERK

VARIANT® VX

VX 7939/100

for rebated heavy-duty doors

hinge

Combination

VX 7505 3D
 VX 7611 3D
 VX 7612 3D
 VX 7521 3D

installation tools

universal milling frame
 template 5 250563 5

Items (DIN reference: DIN right and left hand)

finishes(es)	galvanised 010
packing unit	pack of 10
item number	5 030660 0 01006
finishes(es)	satin nickelled/F2 018
packing unit	pack of 10
item number	5 030660 0 01806
finishes(es)	polished brassed 030
packing unit	pack of 10
item number	5 030660 0 03006
finishes(es)	satin chromed/F1 037
packing unit	pack of 10
item number	5 030660 0 03706
finishes(es)	satin brushed stainless steel 040
packing unit	pack of 10
item number	5 030660 0 04006
finishes(es)	polished stainless steel 042
packing unit	pack of 10
item number	5 030660 0 04206
finishes(es)	powder-coated 079
packing unit	EUR pallet
item number	5 030660 0 07975