

SIMONSWERK VARIANT® VX

VX 7939/120

for rebated heavy-duty doors

hinge

Technical details

| | |
|--------------------|-------------|
| load capacity | 120,0 kg |
| knuckle length | 120,0 mm |
| knuckle diameter | 20,0 mm |
| material thickness | 3,5 mm |
| cutter diameter | 24,0 mm |
| screws | 5,0x50,0 mm |

descriptive text

SIMONSWERK VARIANT heavy duty hinge VX 7939/120 for rebated doors with timber, steel or aluminium frames with three-dimensionally adjustable SIMONSWERK receivers VARIANT VX. CE-certified, load capacity 120 kg, knuckle length 120 mm, knuckle diameter 20 mm, right hand and left hand applicable. Internal torsion-proof screw pin, concealed, maintenance-free, generously dimensioned axial-radial slide bearings. Finish...

Note

The load capacity mentioned above refers to the use of 2 hinges per door leaf (1 x 2 m).

A reinforcing dowel 12x50 mm per hinge is recommended when the door is subject to heavy usage.

Also available with security pin (MSTS).

Product features

- for rebated heavy-duty doors
- for timber, steel or aluminium frames
- for 3D adjustable VARIANT VX receivers
- internal torsion-proof screw pin
- concealed, maintenance-free axial-radial slide bearings

Functional areas

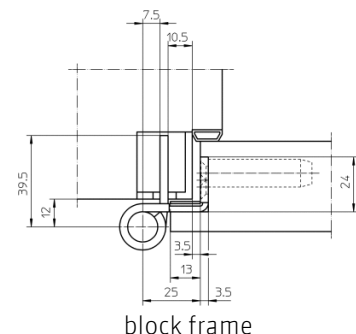
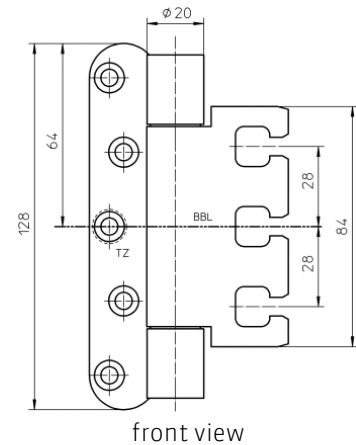
fire resistance, smoke resistance

Quality marks



Combination

| | |
|----------|--|
| receiver | VX 2501 3D VX 7501 3D VX 2502 3D VX 7502 3D |
|----------|--|



SIMONSWERK

VARIANT® VX

VX 7939/120

for rebated heavy-duty doors

hinge

Combination

VX 7506 3D
 VX 2505 3D
 VX 7505 3D
 VX 7611 3D
 VX 7612 3D
 VX 7521 3D

installation tools

universal milling frame
 template 5 250564 5

Items (DIN reference: DIN right and left hand)

| | |
|---------------------|-----------------------------------|
| finishes(es) | galvanised 010 |
| packing unit | pack of 2 |
| item number | 5 040567 0 01002 |
| finishes(es) | satin nickelled/F2 018 |
| packing unit | pack of 2 |
| item number | 5 040567 0 01802 |
| finishes(es) | satin nickelled/F2 018 |
| packing unit | pack of 20 |
| item number | 5 040567 0 01807 |
| finishes(es) | polished brassed 030 |
| packing unit | pack of 2 |
| item number | 5 040567 0 03002 |
| finishes(es) | satin chromed/F1 037 |
| packing unit | pack of 2 |
| item number | 5 040567 0 03702 |
| finishes(es) | satin brushed stainless steel 040 |
| packing unit | pack of 2 |
| item number | 5 040567 0 04002 |
| finishes(es) | satin brushed stainless steel 040 |
| packing unit | pack of 20 |
| item number | 5 040567 0 04007 |
| finishes(es) | polished stainless steel 042 |
| packing unit | pack of 2 |
| item number | 5 040567 0 04202 |
| finishes(es) | powder-coated 079 |
| packing unit | EUR pallet |
| item number | 5 040567 0 07975 |